



R-AS40

Scissors Lift

Parts Breakdown

ET081105-en

© MAHA Maschinenbau Haldenwang GmbH & Co. KG

Legal notice based on ISO 16016:

The reproduction, distribution and utilization of this document as well as the communication of its contents to others without explicit authorizations is prohibited. Offenders will be held liable for the payment of damages. All rights reserved in the event of the grant of a patent, utility model or design.

The contents of this edition have been checked with great care. However. Errors cannot be fully excluded. Subject to technical change without notice.

Document

Document N^o: ET081105-en
Approval Date: 13. 08. 2012

Manufacturer

MAHA Maschinenbau Haldenwang GmbH & Co. KG
Hoyen 20
87490 Haldenwang
Germany

Phone: +49 (0) 8374 585 0
Fax: +49 (0) 8374 585 497
Fax Parts: +49 (0) 8374 585 565
Internet: <http://www.slift.de>
E-Mail: vertrieb@slift.de
Hotline: +49 (0) 180 56242 60 for Brake Testers and Test Lanes
+49 (0) 180 56242 80 for Automotive Lifts
+49 (0) 180 56242 90 for Dynamometers and Emission Testers

Service

AutomoTec GmbH
Maybachstraße 8
87437 Kempten
Germany
Phone: +49 (0) 180 56242 50
Fax: +49 (0) 180 56242 55
Internet: <http://www.automo-tec.com>
E-Mail: service@automo-tec.com

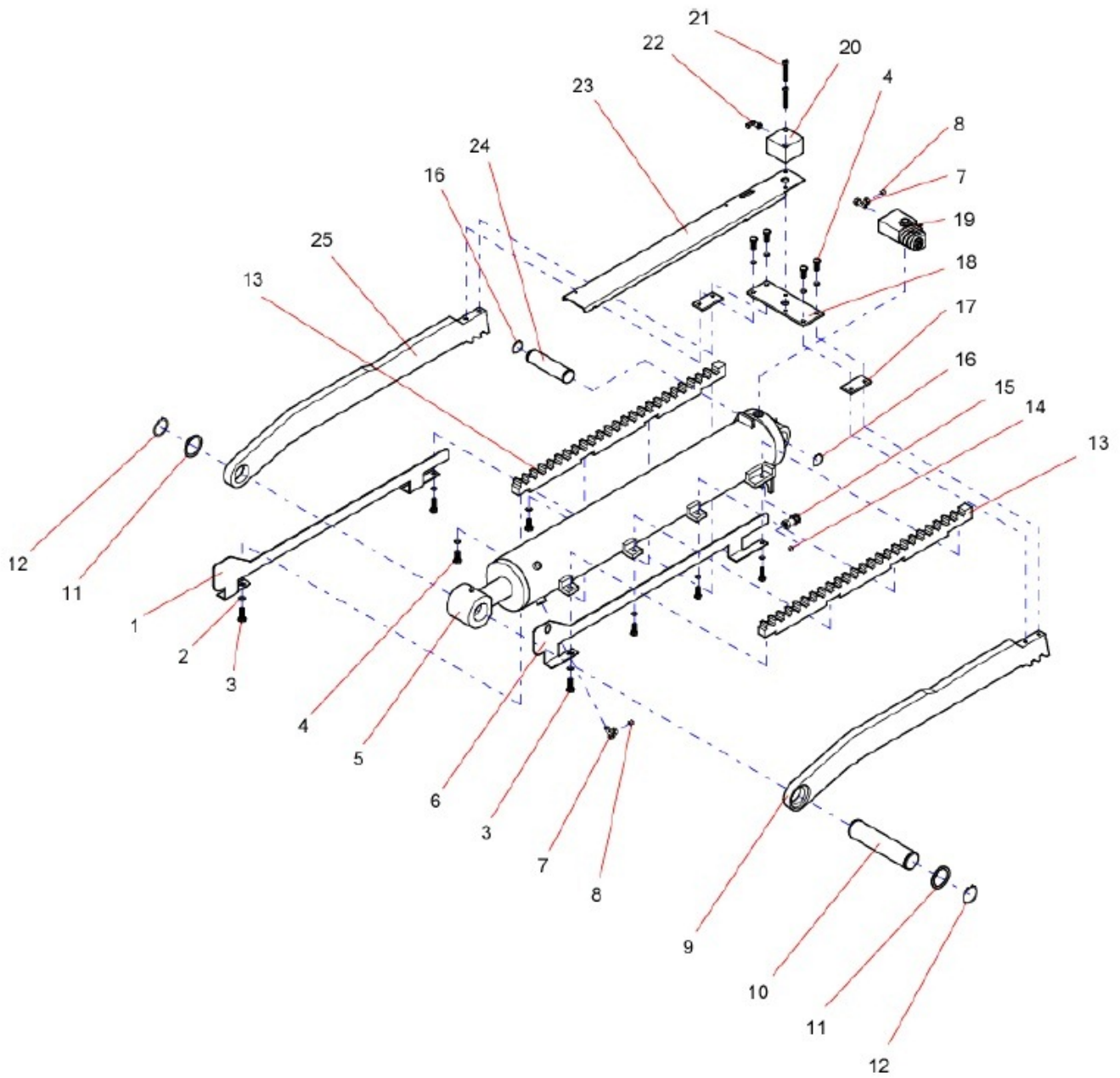
Contents

R-AS40

1	Hydraulic Cylinder	4
1.1	Master Cylinder with Safety Lock	4
1.2	Slave Cylinder with Safety Lock	6
1.3	Master Cylinder with Wheel Alignment Lock	8
1.4	Slave Cylinder with Wheel Alignment Lock	10
1.5	Slave Cylinder with Double Latch	12
2	Runways	14
2.1	Runways without PMS	14
2.2	Runways with PMS	16
2.3	Cross Member	18
2.4	Automatic Roll-off Protection	19
2.5	Ramps	20
2.6	Hydraulic Inclination	22
2.7	Permanent Inclination	23
2.8	Safety Strip with Inclination	24
2.9	Thrust Bearing	25
2.10	Floating Bearing Rail	26
2.11	Automatic Synchronization	27
2.12	Compensating Plates	28
2.13	Movable Plate, Standard	30
2.14	Movable Plate, Porsche	31
3	Base Plate	32
3.1	Floor Group	32
3.2	Safety Bar, Surface Mounted	34
3.3	Supports	35
4	Lifting Scissors	41
4.1	Raising Lever	41
4.2	Scissors	42
5	Gratings and Floor Covers	43

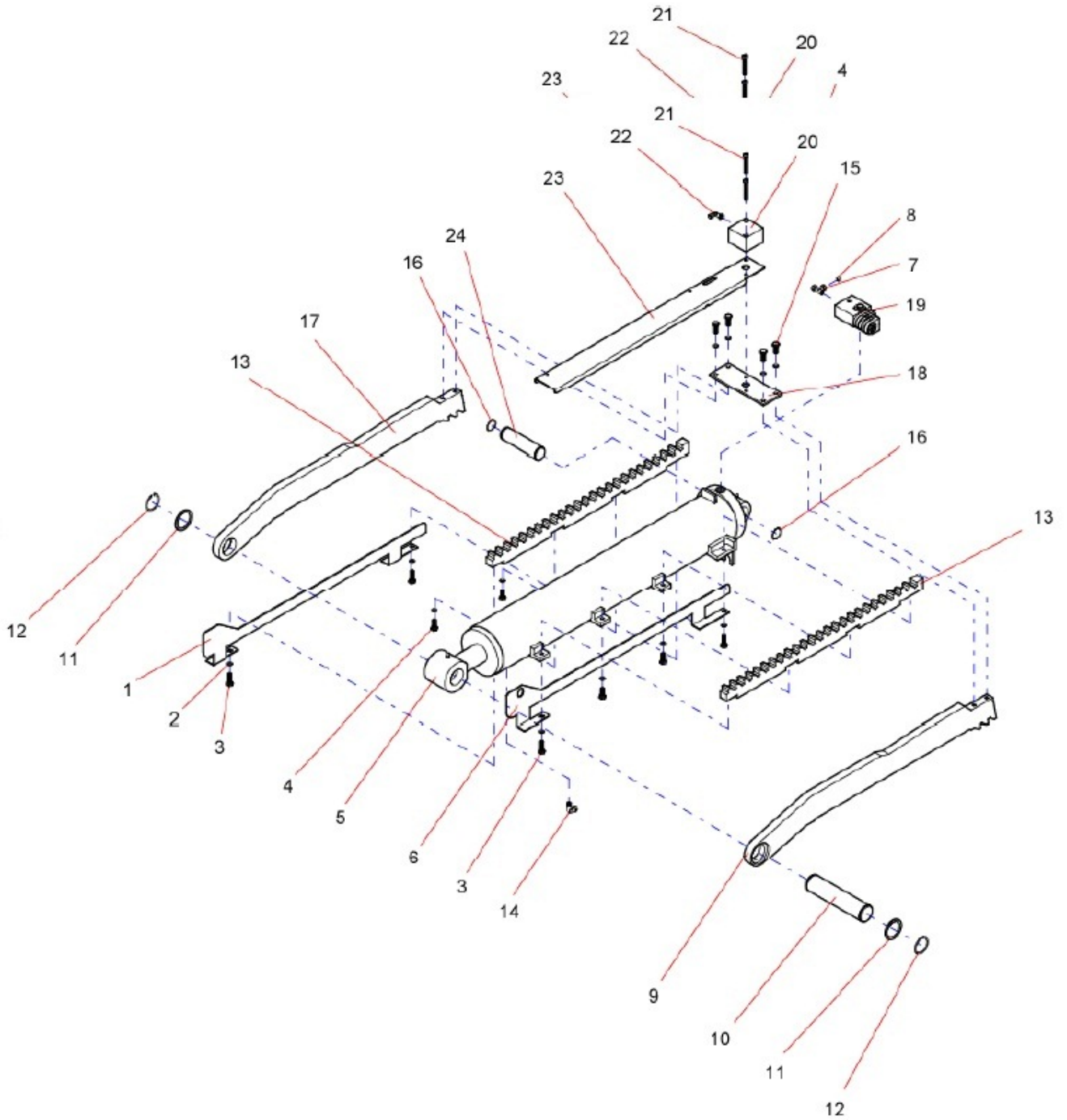
1 Hydraulic Cylinder

1.1 Master Cylinder with Safety Lock



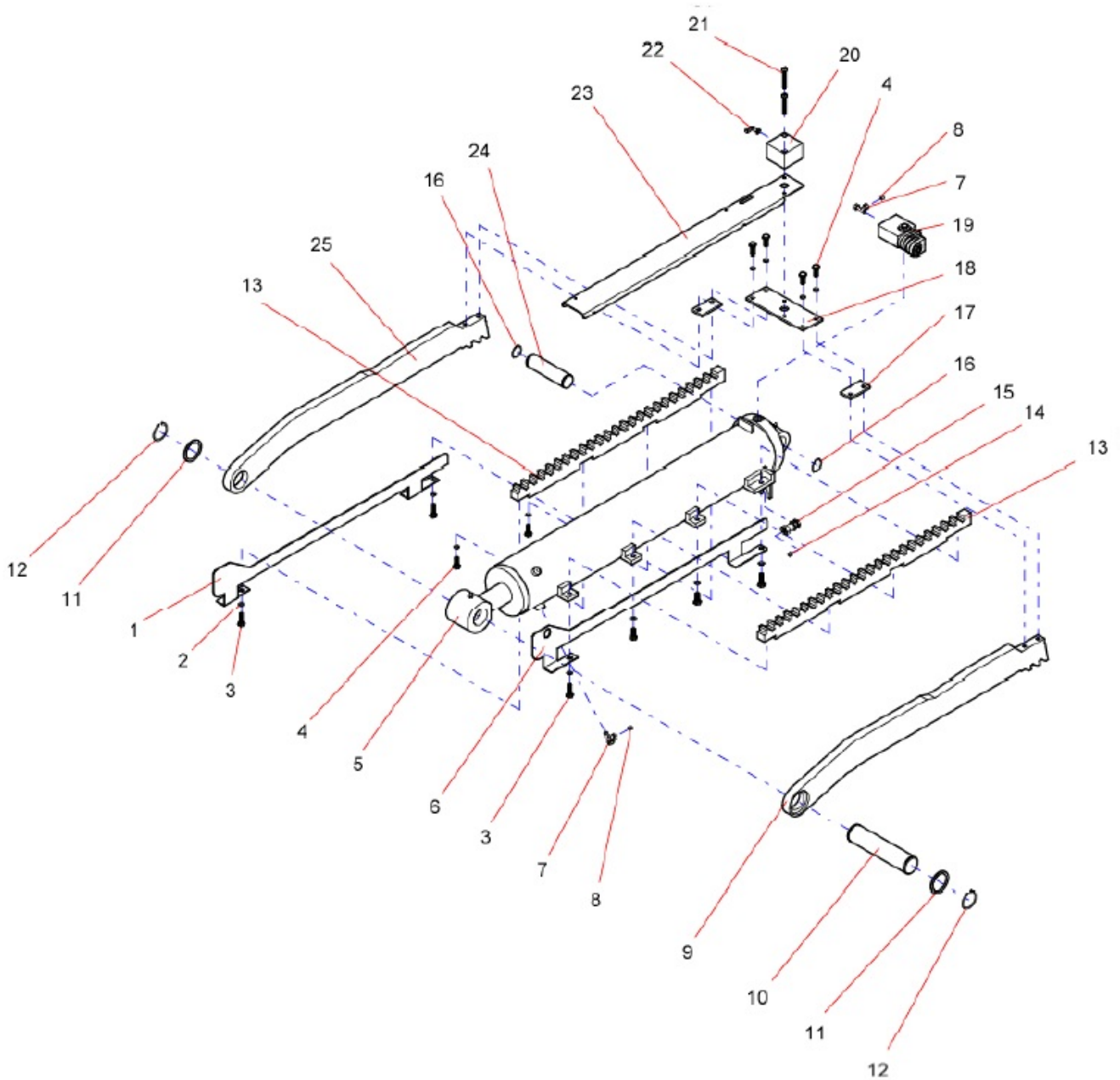
Item No.	Spare Part	Description	Article Number
1	Guide	Right	02 08 58130
2	Washer	A8.4	22 0125 08 1
3	Hex Head Screw	M8x25	22 0933 08025 1
4	Hex Head Screw	M8x20	22 0933 08020 1
5	Master Cylinder		03 08 57023
6	Guide	Left	02 08 58125
7	Swivel Fitting	12 LR 3/8"	27 6942
8	Swivel Fitting	10 SR 3/8"	27 6747
9	Latch Arm	Left	02 08 58350
10	Upper Cylinder Support		02 08 58110
11	Shim Ring	40x50x2	22 0988 405020
12	Snap Ring	40x1.75	22 0471 040
13	Lock		02 08 58200
14	Bulkhead Stuffing Box	SV 10	27 6723
15	Bulkhead Stuffing Box	SV 12	27 6923
16	Snap Ring	30x1.5	22 0471 030
17	Distance		02 08 58100
18	Cylinder Plate		02 08 58120
19	Foot Plate		23000083
20	Short-Stroke Cylinder		28 0040
21	Countersunk Screw	M6x45	22 7991 06045 1
22	Screwed Angle	KQL	28 9055
23	Hose Guide		02 08 58115
24	Shaft		02 08 17105
25	Latch Arm	Right	02 08 58251

1.2 Slave Cylinder with Safety Lock



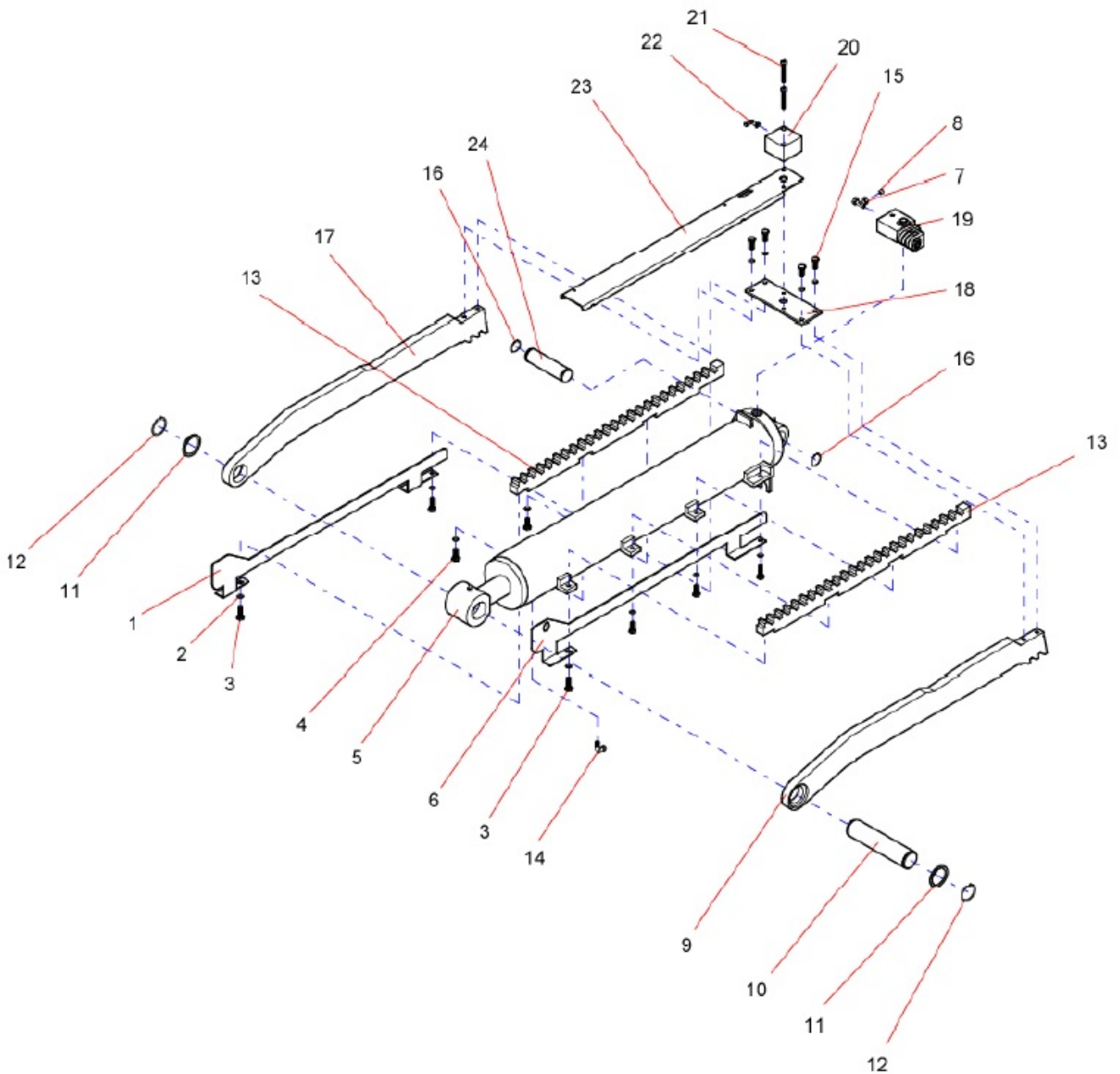
Item No.	Spare Part	Description	Article Number
1	Guide	Right	02 08 58130
2	Washer	A8.4	22 0125 08 1
3	Hex Head Screw	M8x25	22 0933 08025 1
4	Hex Head Screw	M8x20	22 0933 08020 1
5	Slave Cylinder		03 08 57027
6	Guide	Left	02 08 58125
7	Swivel Fitting	12 LR 3/8"	27 6942
8	Swivel Fitting	10 SR 3/8"	27 6747
9	Latch Arm	Left	02 08 58350
10	Upper Cylinder Support		02 08 58110
11	Shim Ring	40x50x2	22 0988 405020
12	Snap Ring	40x1.75	22 0471 040
13	Lock		02 08 58200
14	Screwed Angle	KQL	28 9126
15	Hex Head Screw	M8x16	22 0933 08016 1
16	Snap Ring	30x1.5	22 0471 030
17	Latch Arm	Right	02 08 58251
18	Cylinder Plate		02 08 58120
19	Cylinder Connection		26000084
20	Short-Stroke Cylinder		28 0040
21	Countersunk Screw	M6x45	22 7991 06045 1
22	Screwed Angle	KQL	28 9055
23	Hose Guide		02 08 58115
24	Shaft		02 08 17105

1.3 Master Cylinder with Wheel Alignment Lock



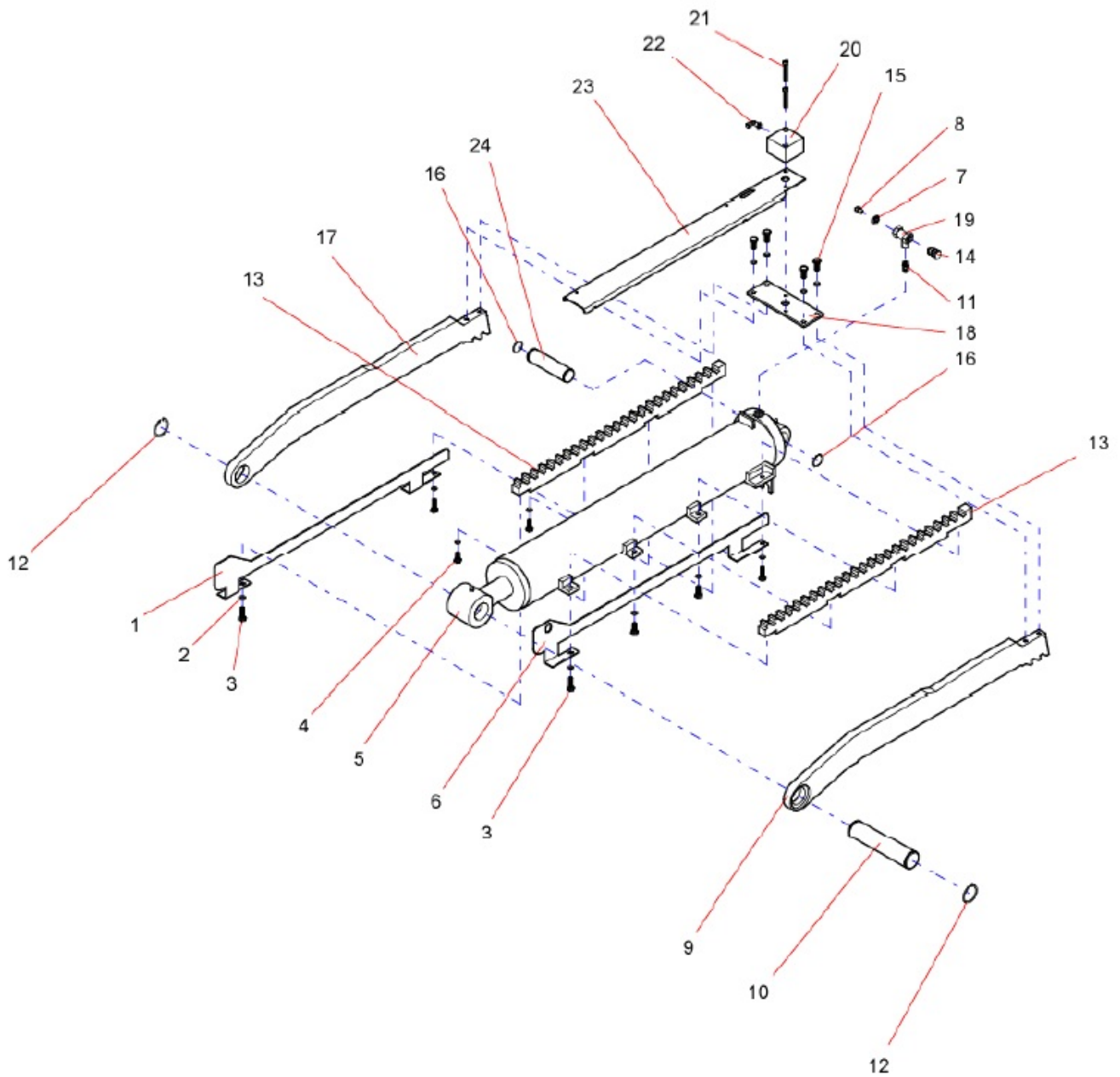
Item No.	Spare Part	Description	Article Number
1	Guide	Right	02 08 58130
2	Washer	A8.4	22 0125 08 1
3	Hex Head Screw	M8x25	22 0933 08025 1
4	Hex Head Screw	M8x20	22 0933 08020 1
5	Master Cylinder		03 08 57023
6	Guide	Left	02 08 58125
7	Swivel Fitting	12 LR 3/8"	27 6942
8	Swivel Fitting	10 SR 3/8"	27 6747
9	Latch Arm	Left	02 08 58250
10	Upper Cylinder Support		02 08 58110
11	Shim Ring	40x50x2	22 0988 405020
12	Snap Ring	40x1.75	22 0471 040
13	Lock		02 08 58210
14	Bulkhead Stuffing Box	SV 10	27 6723
15	Bulkhead Stuffing Box	SV 12	27 6923
16	Snap Ring	30x1.5	22 0471 030
17	Distance		02 08 58100
18	Cylinder Plate		02 08 58120
19	Foot Plate		23000083
20	Short-Stroke Cylinder		28 0040
21	Countersunk Screw	M6x45	22 7991 06045 1
22	Screwed Angle	KQL	28 9055
23	Hose Guide		02 08 58115
24	Shaft		02 08 17105
25	Latch Arm	Right	02 08 58260

1.4 Slave Cylinder with Wheel Alignment Lock



Item No.	Spare Part	Description	Article Number
1	Guide	Right	02 08 58130
2	Washer	A8.4	22 0125 08 1
3	Hex Head Screw	M8x25	22 0933 08025 1
4	Hex Head Screw	M8x20	22 0933 08020 1
5	Slave Cylinder		03 08 57027
6	Guide	Left	02 08 58125
7	Swivel Fitting	12 LR 3/8"	27 6942
8	Swivel Fitting	10 SR 3/8"	27 6747
9	Latch Arm	Left	02 08 58250
10	Upper Cylinder Support		02 08 58110
11	Shim Ring	40x50x2	22 0988 405020
12	Snap Ring	40x1.75	22 0471 040
13	Lock		02 08 58210
14	Screwed Angle	KQL	28 9126
15	Hex Head Screw	M8x16	22 0933 08016 1
16	Snap Ring	30x1.5	22 0471 030
17	Latch Arm	Right	02 08 58260
18	Cylinder Plate		02 08 58120
19	Cylinder Connection		26000084
20	Short-Stroke Cylinder		28 0040
21	Countersunk Screw	M6x45	22 7991 06045 1
22	Screwed Angle	KQL	28 9055
23	Hose Guide		02 08 58115
24	Shaft		02 08 17105

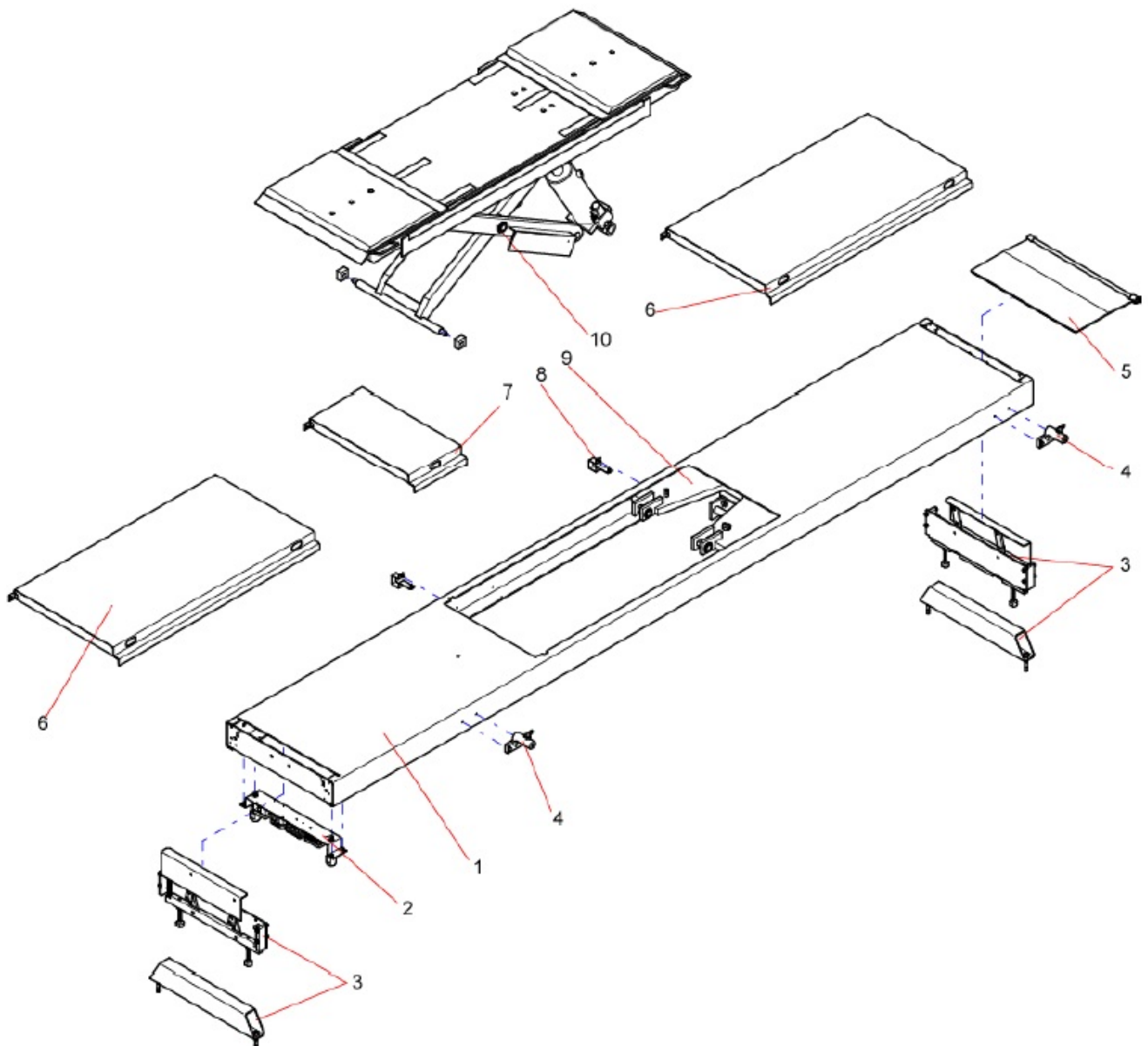
1.5 Slave Cylinder with Double Latch



Item No.	Spare Part	Description	Article Number
1	Guide	Right	02 08 58130
2	Washer	A8.4	22 0125 08 1
3	Hex Head Screw	M8x25	22 0933 08025 1
4	Hex Head Screw	M8x20	22 0933 08020 1
5	Slave Cylinder		03 08 57027
6	Guide	Left	02 08 58125
7	Seal	G3/8	28 6505
8	Screw Fitting		28 8028 0606
9	Swivel Fitting	10 SR 3/8"	27 6747
10	Latch Arm	Left	02 08 58250
11	Double Nipple	R 3/8 x 3/8	27 4656
12	Snap Ring	40x1.75	22 0471 040
13	Lock		02 08 58210
14	Silencer	3/8"	28 8165 0600
15	Hex Head Screw	M8x16	22 0933 08016 1
16	Snap Ring	30x1.5	22 0471 030
17	Latch Arm	Right	02 08 58260
18	Cylinder Plate		02 08 58120
19	Rapid Bleeder Valve		28 5802
20	Short-Stroke Cylinder		28 0040
21	Countersunk Screw	M6x45	22 7991 06045 1
22	Screwed Angle	KQL	28 9055
23	Hose Guide		02 08 58115

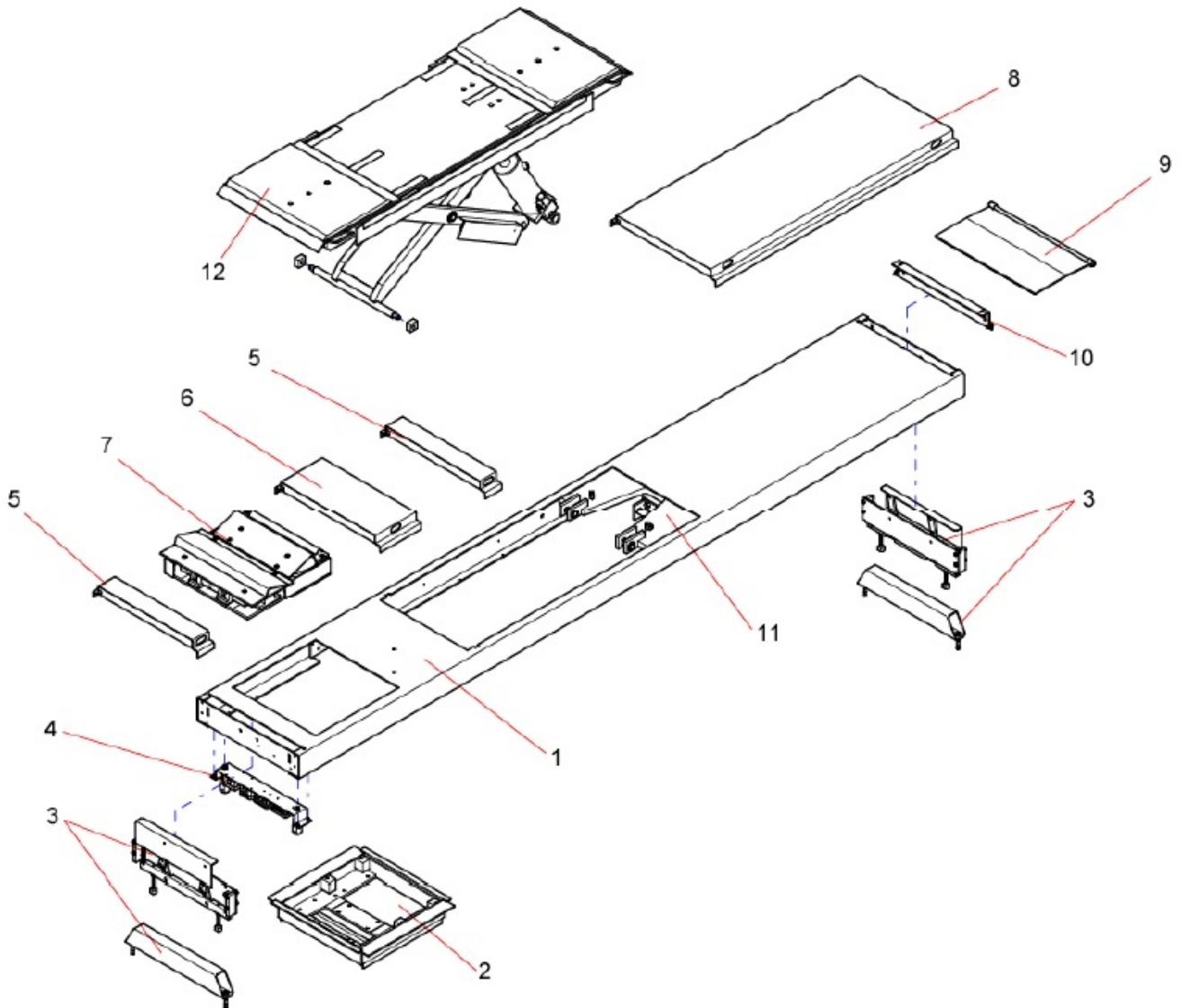
2 Runways

2.1 Runways without PMS



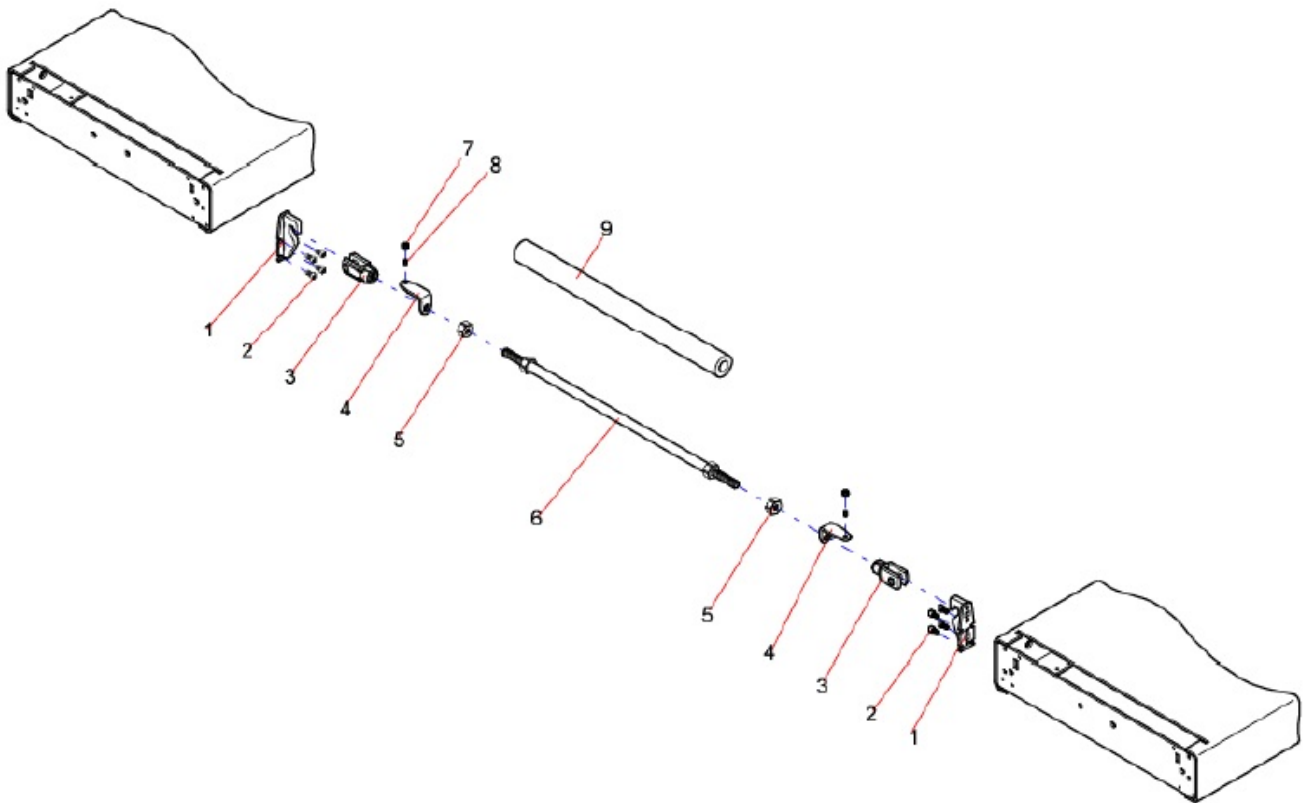
Item No.	Spare Part	Description	Article Number
1	Runway	4.0m Left	03 08 20065
	Runway	4.0m Right	03 08 20015
	Runway	4.4m Left	03 08 70075
	Runway	4.4m Right	03 08 70025
	Runway	4.8m Left	03 08 72805
	Runway	4.8m Right	03 08 72800
2	Terminal Board		030080 45000200
3	Autom. Roll-Off Protection		06 08 87000
4	Measuring Head Holder	4.0m Left	03 08 91510
	Measuring Head Holder	4.0m Right	03 08 91510
	Measuring Head Holder	4.4m Left	030080 37000600
	Measuring Head Holder	4.4m Right	030080 37000100
	Measuring Head Holder	4.8m Left	03 08 91510
	Measuring Head Holder	4.8m Right	03 08 91510
5	Approach Flap		03 08 24255
6	Compensating Plate	1100mm	03 08 25896
	Compensating Plate	1200mm	03 08 25905
7	Compensating Plate	300mm	03 08 25861
	Compensating Plate	400mm	03 08 25871
	Compensating Plate	500mm	03 08 25891
8	Hose Guide	Axle Jack	03 08 20001
	Safety Strip	f. Inclination	03 08 29100
9	Wheel-Free Jack Installation	4.0m Left	03 08 20251
	Wheel-Free Jack Installation	4.0m Right	03 08 20201
	Wheel-Free Jack Installation	4.4m Left	03 08 70251
	Wheel-Free Jack Installation	4.4m Right	03 08 70201
	Wheel-Free Jack Installation	4.8m Left	03 08 72855
	Wheel-Free Jack Installation	4.8m Right	03 08 72850
10	Wheel-Free Jack 4		ETZ0005

2.2 Runways with PMS



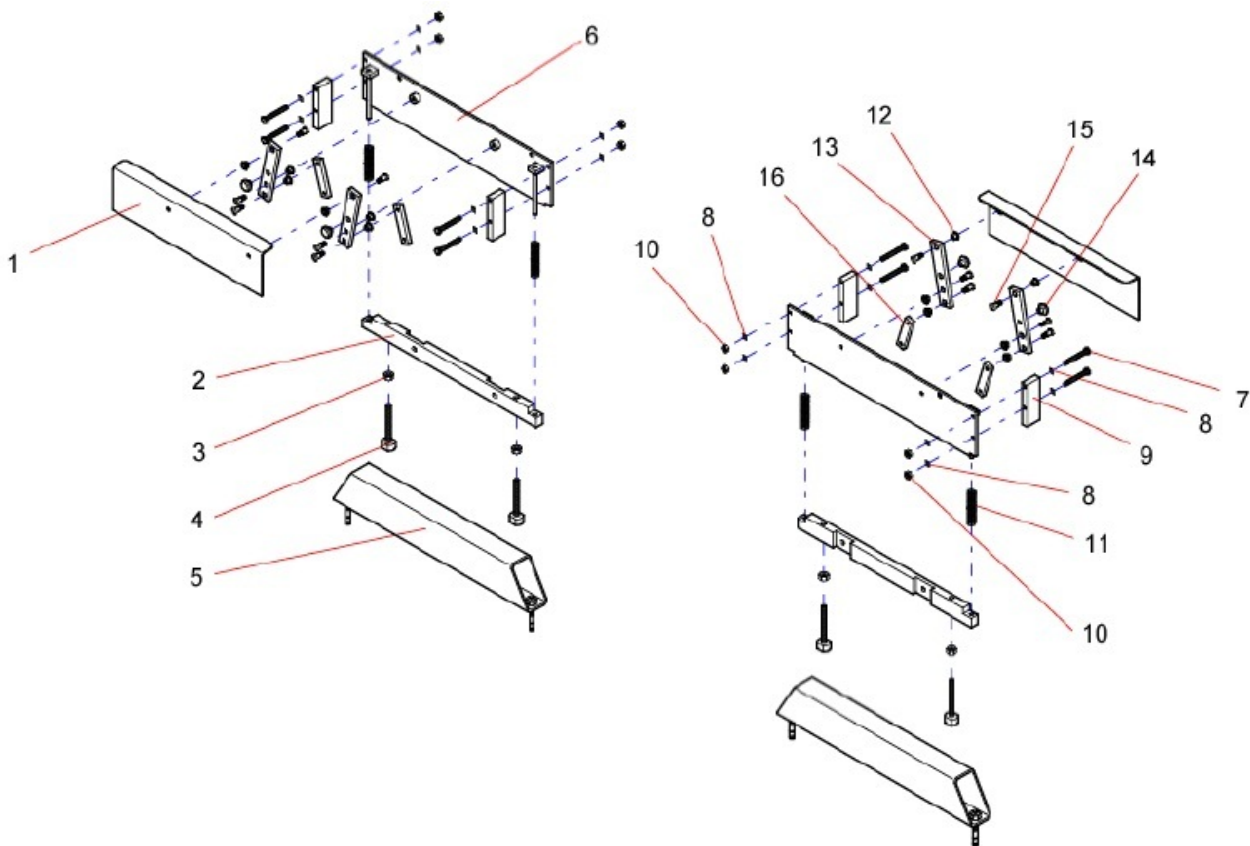
Item No.	Spare Part	Description	Article Number
1	Runway	4.0m Left	03 08 20075
	Runway	4.0m Right	03 08 20070
	Runway	4.4m Left	03 08 70358
	Runway	4.4m Right	03 08 20070
	Runway	4.8m Left	03 08 70308
	Runway	4.8m Right	03 08 70363
2	PMS 3S/XLP	Left	03 01 2900
	PMS 3S/XLP	Right	03 01 2900
	PMS 3S/XLP	Left	03 01 2910
	PMS 3S/XLP	Right	03 012910
3	Autom. Roll-Off Protection		06 08 87000
4	Terminal Board		03 08 79362
5	Compensating Plate	100mm	03 08 25810
6	Compensating Plate	250mm	03 08 25840
	Compensating Plate	350mm	03 08 25865
	Compensating Plate	400mm	03 08 25870
7	PMS	w. Hinged Cover (pneu.)	ETZ0007
	PMS 3/X		ETZ0008
	PMS	Undivided	ETZ0009
8	Compensating Plate	400mm	03 08 25920
9	Approach Flap		03 08 24227
10	Holder		03 08 20020
11	Wheel-Free Jack Installation	Left	05 08 31001
	Wheel-Free Jack Installation	Right	05 08 31001
12	Wheel-Free Jack 6		ETZ0006

2.3 Cross Member



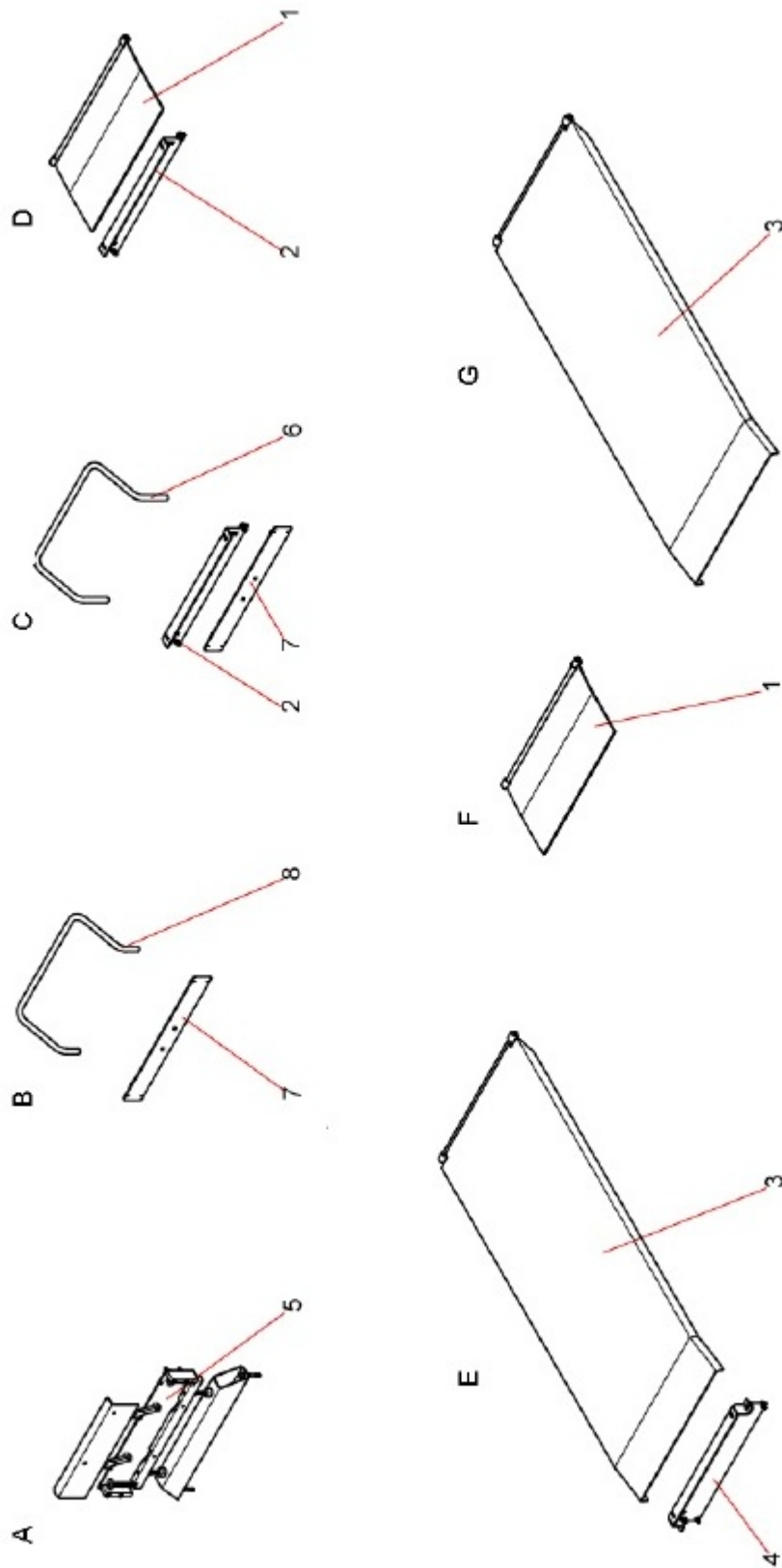
Item No.	Spare Part	Description	Article Number
1	Guide	without Compensating Plates	03 08 22221
	Guide	with Compensating Plates	03 08 22231
2	Allen Screw	M8x16	22 0912 08016 1
3	Fork Joint		22 71751 1632
4	Support		02 08 24292
5	Hex Nut	M16	22 0943 16 1
6	Rod		03 08 22255
	Rod	DC	03 08 22265
7	Hex Nut	M6	22 0934 06 1
8	Ball Thrust Screw	M6x12.8	23 1490 06
9	Insulating Shell	609.6mm	02 08 24058
	Insulating Shell	730mm	02 08 24059

2.5 Autom. Roll-Off Protection



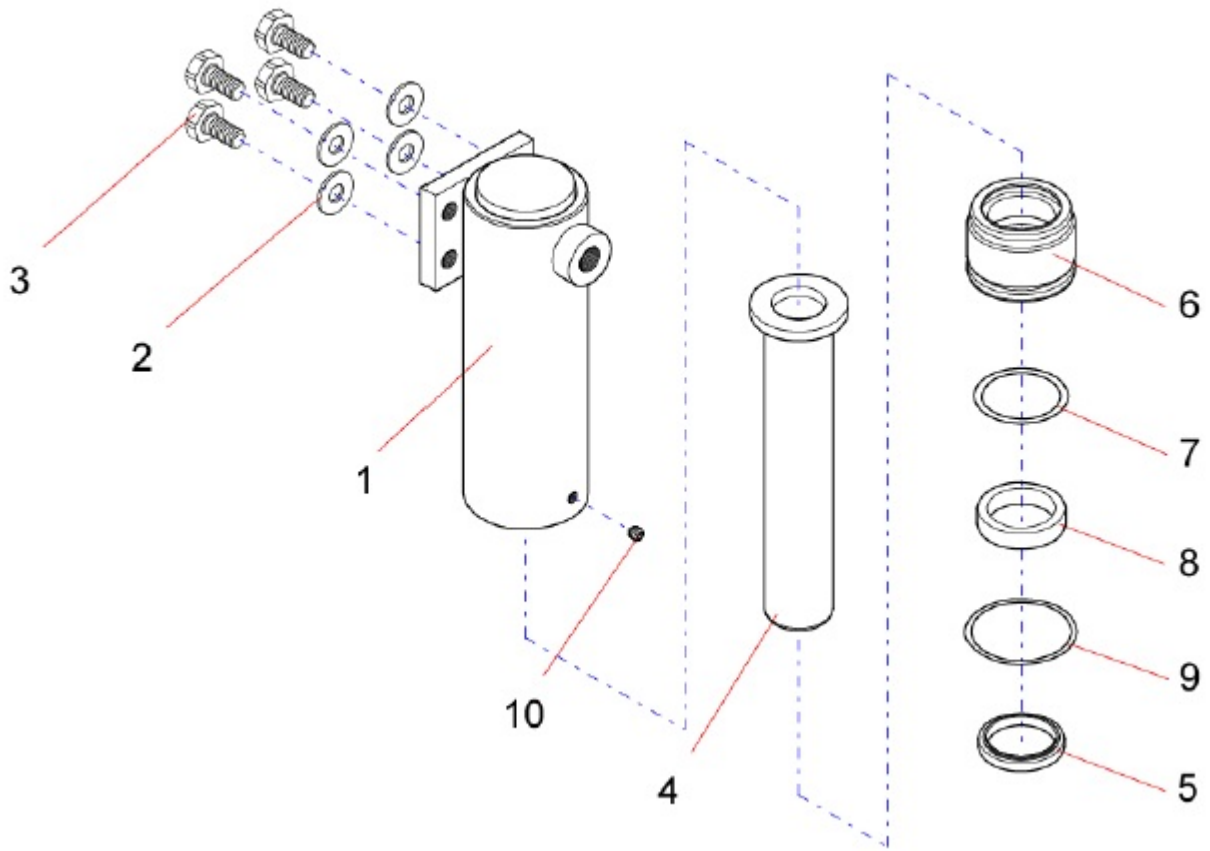
Item No.	Spare Part	Description	Article Number
1	Roll-Off Protection	without Compensating Plates	03 08 87800
	Roll-Off Protection	with Compensating Plates	03 08 87850
2	Guide		02 08 87530
3	Hex Nut	M10	22 0934 10 1
4	Dowel Pin	M10x94	31 6204 1
5	Support	285mm	03 08 87560
	Support	225mm	03 08 87855
6	Base Support		03 08 87600
	Base Support	Compensating Plates	03 08 87700
7	Hex Head Screw	M8x65	22 0933 08065 1
8	Washer	A8.4	22 0125 08 1
9	Distance		02 08 87000
10	Hex Nut	M8	22 0934 08 1
11	Pressure Spring		23 9225 016 130
12	Friction Bearing		24 1710 2
13	Reversing Lever		02 08 87510
14	Slider Block		02 08 87540
15	Oval Head Screw	M8x12	22 0923 08012
16	Reversing Lever		02 08 87520

2.6 Ramps



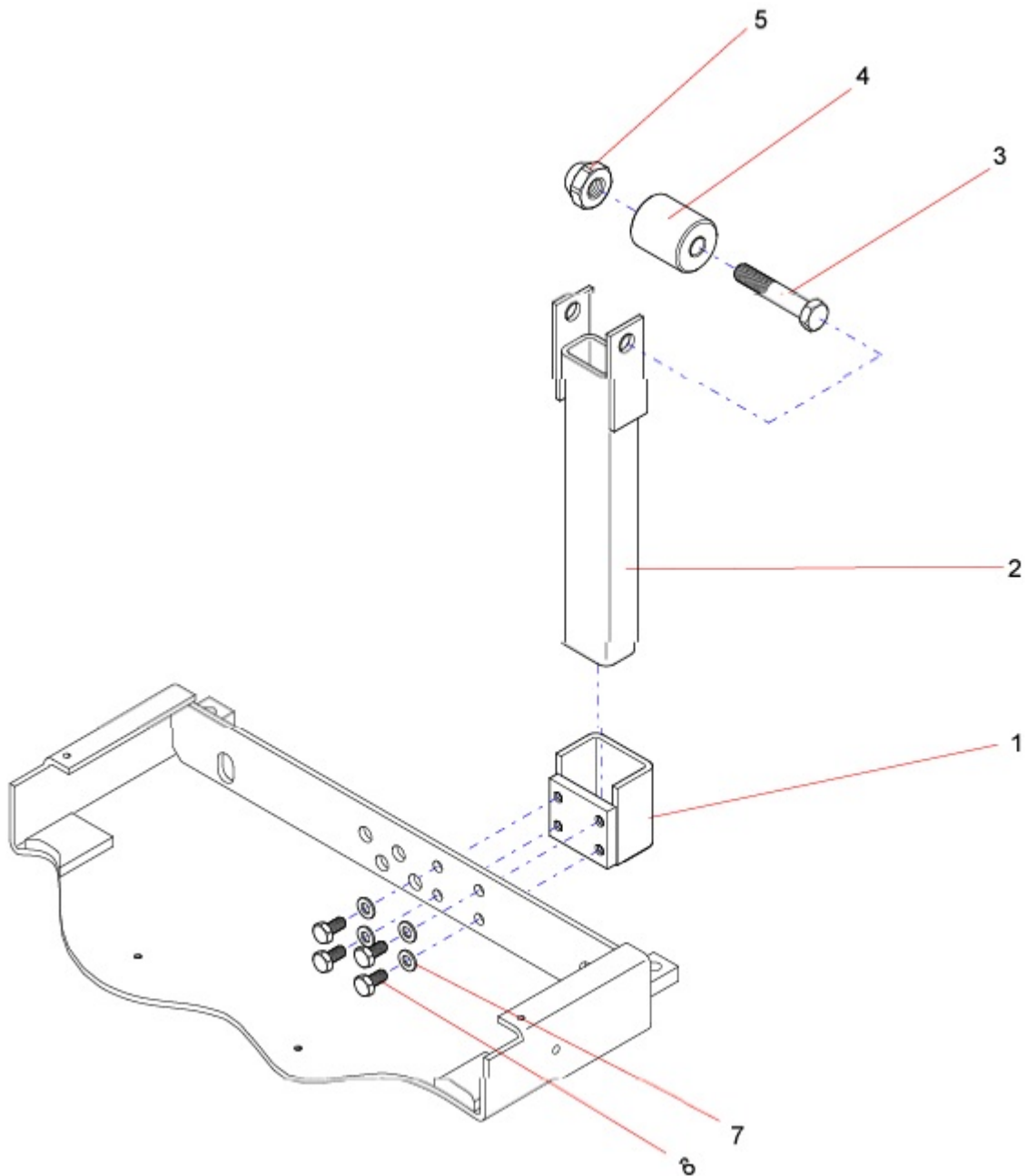
Item No.	Spare Part	Description	Article Number
1	Approach Flap		03 08 24225
2	Holder	f. Approach Flap	03 08 20020
3	Approach Ramp	Long	03 08 24008
4	Ramp Holder	f. Superstructure	03 08 20030
5	Autom. Roll-Off Protection		06 08 87000
6	Roll-Off Protection	with Compensating Plates	02 08 21940
7	Adapter Plate	f. Roll-Off Protection	03 08 20420
8	Roll-Off Protection	without Compensating Plates	02 08 21935
-----		-----	
A	Autom. Roll-Off Protection		
B	Roll-Off Protection	f. Runways w/o Compensating Plates	
C	Roll-Off Protection	f. Runways w. Compensating Plates	
D	Approach Flap	f. Runways w. Compensating Plates	
E	Approach Ramp, Long	f. Runways w. Compensating Plates	
F	Approach Flap	f. Runways w/o Compensating Plates	
G	Approach Ramp, Long	f. Runways w/o Compensating Plates	

2.6 Hydraulic Inclination



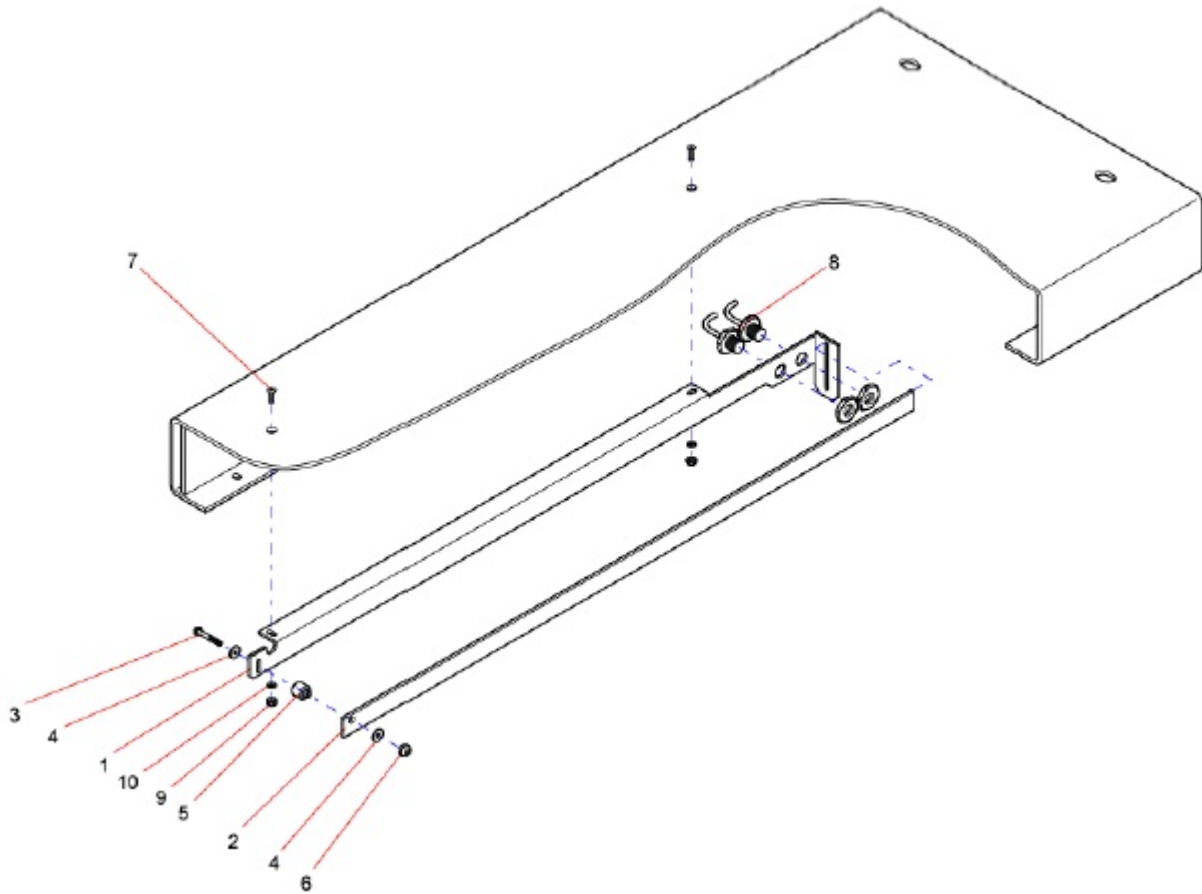
Item No.	Spare Part	Description	Article Number
1	Cylinder Tube		03 08 52105
2	Washer	A10.5	22 0125 10 1
3	Hex Head Screw	M10x20	22 0933 10020 1
4	Piston Rod		03 08 52110
5	Scraper Ring		27 3035
6	Cylinder Head		02 08 52050
7	O-Ring	ø48x4	27 2048 040 90
8	Rod Packing		27 4035 2
9	Spring Washer	3x57	23 9330 057
10	Threaded Pin	M6x8	22 0914 06008

2.7 Permanent Inclination



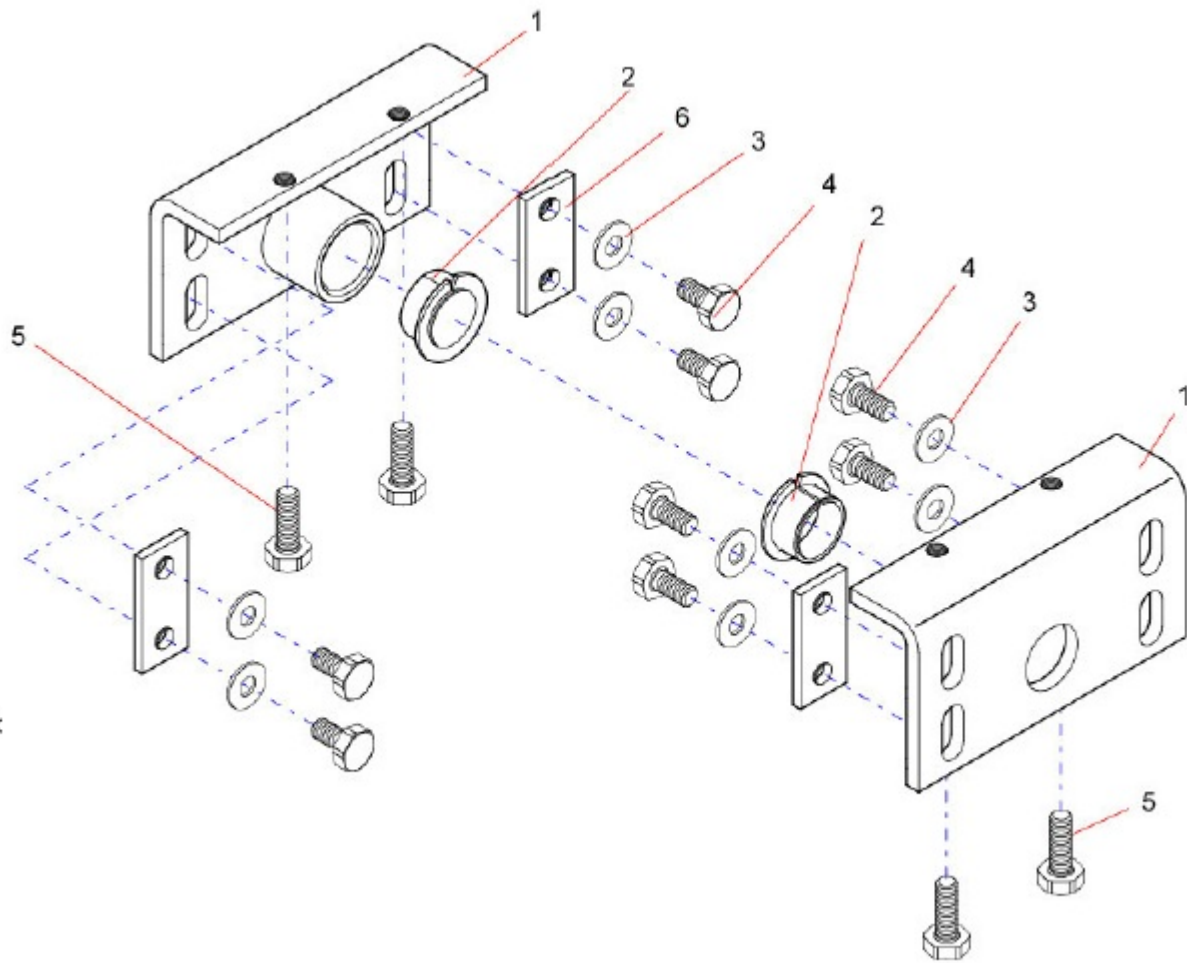
Item No.	Spare Part	Description	Article Number
1	Holder		03 08 06030
2	Support		03 08 06016
3	Hex Head Screw	M16x90	22 0931 16090 1
4	Roller		02 08 06100
5	Hex Nut	M16	22 0985 16 1
6	Hex Head Screw	M10x20	22 0933 10020 1
7	Washer	A10.5	22 0125 10 1

2.8 Safety Strip f. Inclination



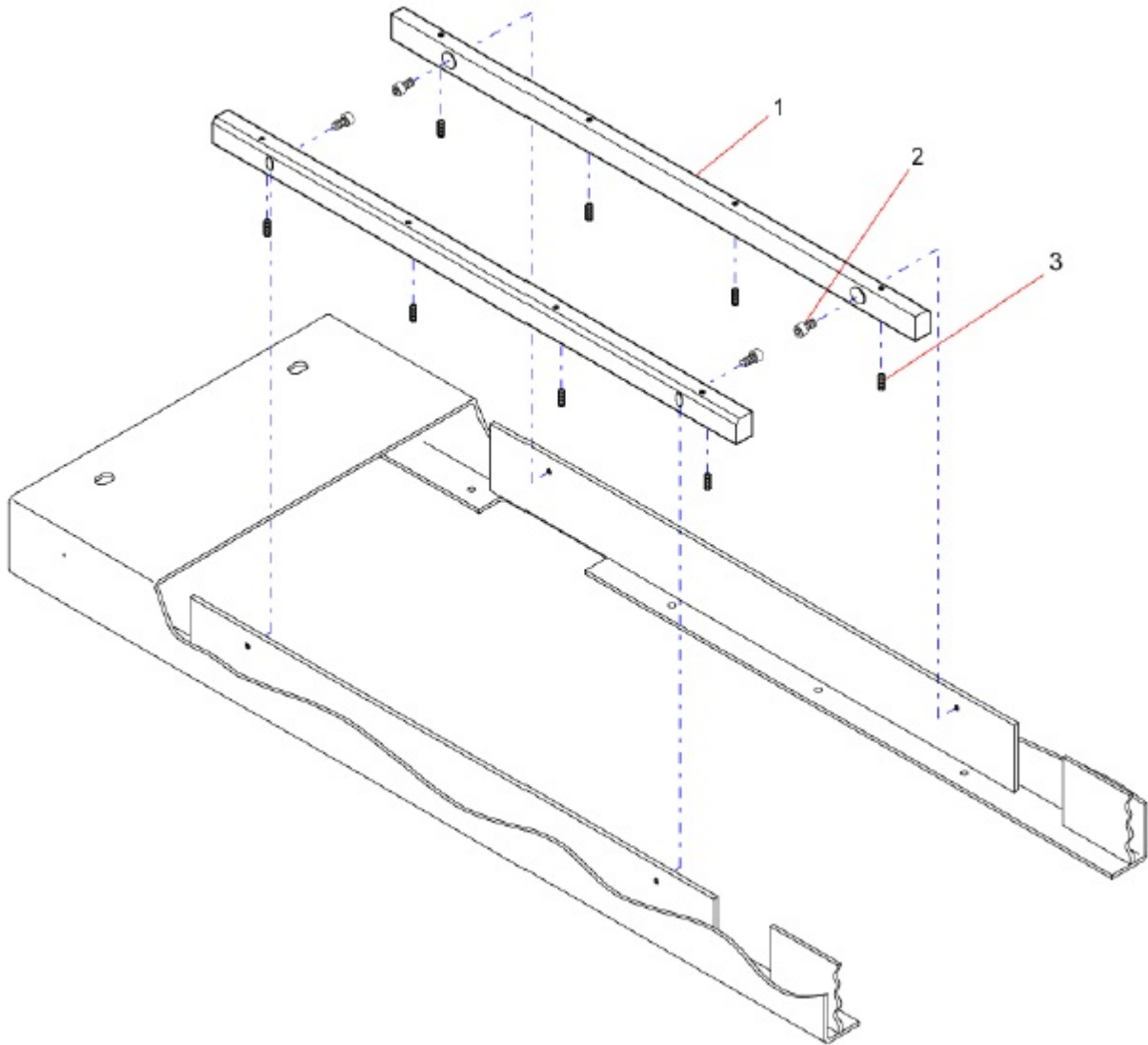
Item No.	Spare Part	Description	Article Number
1	Holder		02 08 29105
2	Switch Strip		02 08 29100
3	Hex Head Screw	M6x40	22 0931 06040 1
4	Washer	A6.4	22 0125 06 1
5	Sleeve		02 08 29110
6	Hex Nut	M6	22 0985 06 1
7	Countersunk Screw	M6x20	22 7991 06020 1
	Countersunk Screw	M6x30	22 7991 06030 1
8	Proximity Switch	M18/5mm	51 3008
9	Hex Nut	M6	22 0934 06 1
10	Washer	A6.4	22 0125 06 1

2.9 Thrust Bearing



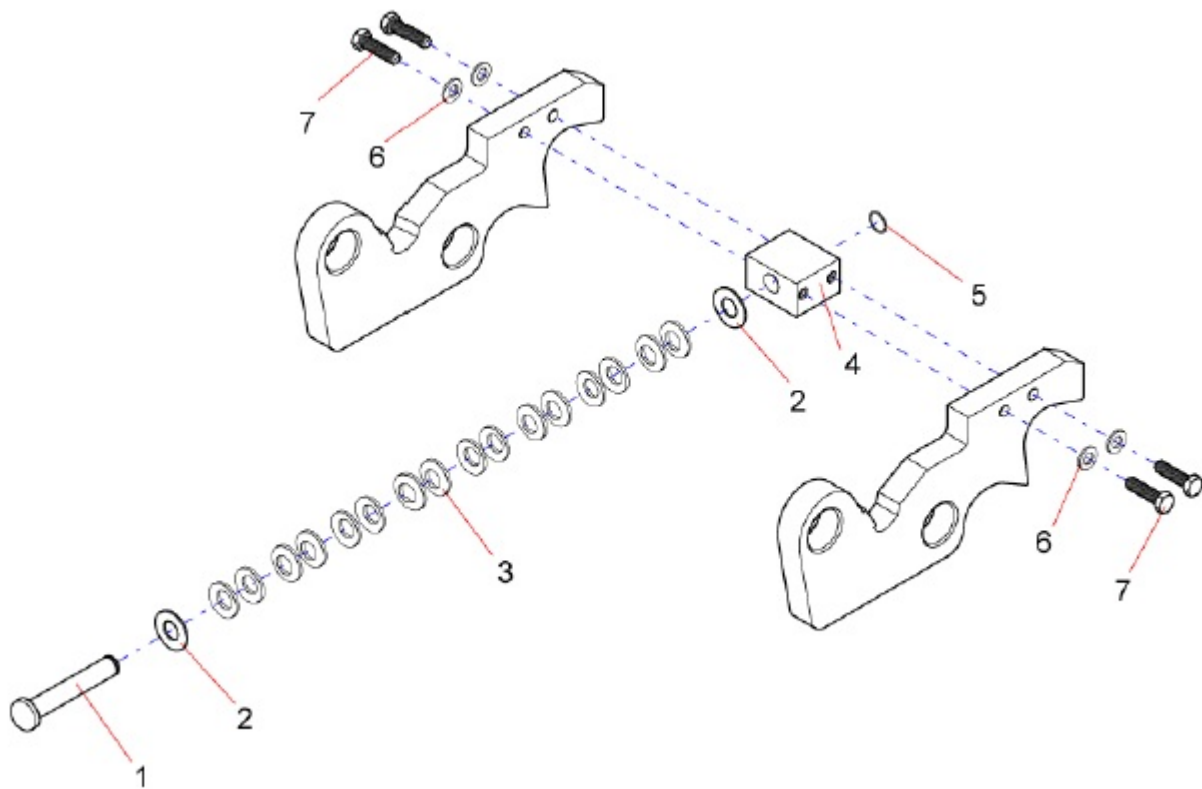
Item No.	Spare Part	Description	Article Number
1	Thrust Bearing		03 08 23550
2	Friction Bearing		24 1732 1
3	Washer	A10.5	22 0125 10 1
4	Hex Head Screw	M10x25	22 0933 10025 1
5	Hex Head Screw	M10x30	22 0933 10030 1
6	Washer		02 08 20570

2.10 Floating Bearing Rail



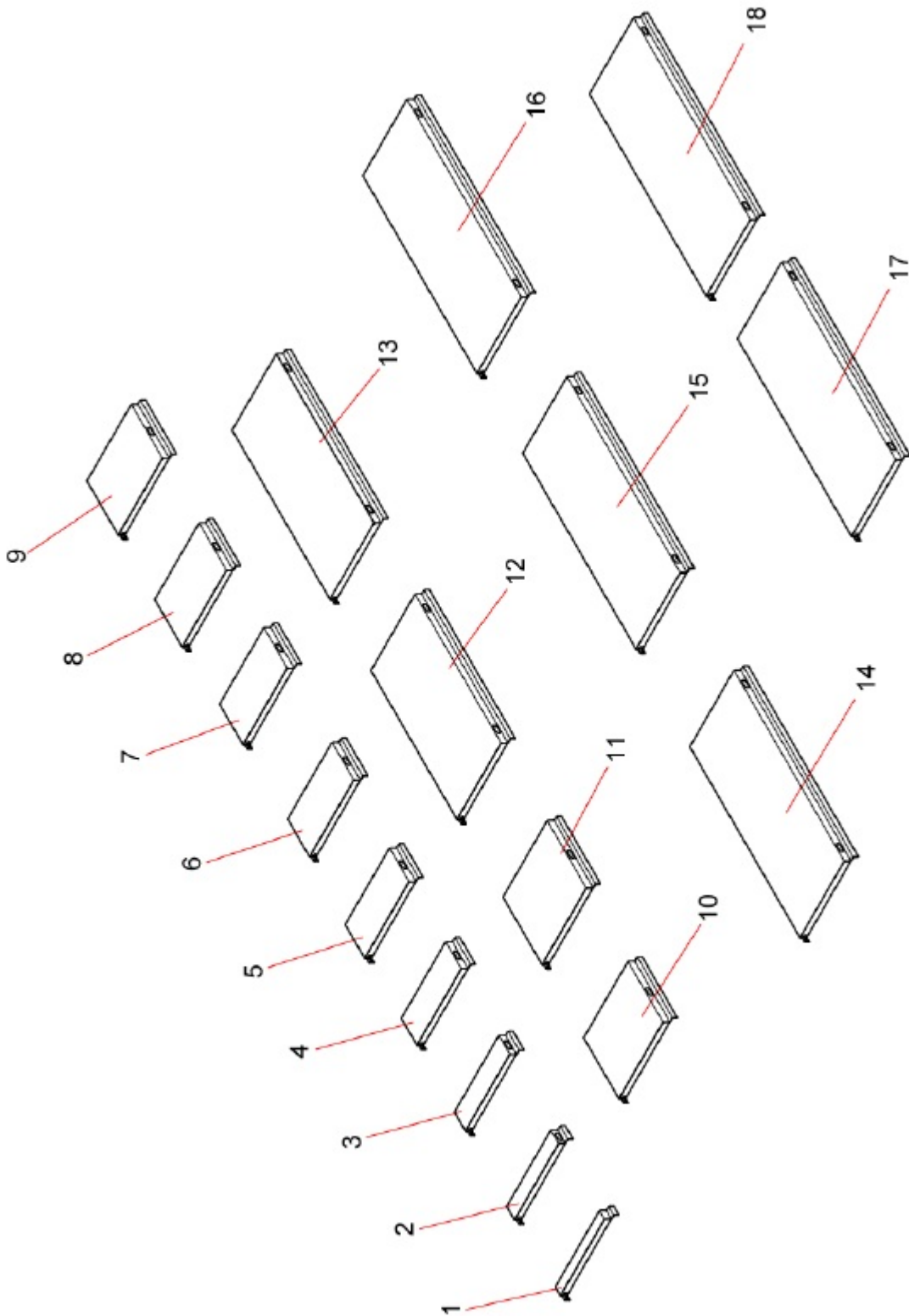
Item No.	Spare Part	Description	Article Number
1	Rail		02 08 20206
	Rail	PMS	02 08 20205
2	Allen Screw	M10x20	22 0912 10020 1
3	Threaded Pin	M8x25	22 0913 08025

2.11 Automatic Synchronization



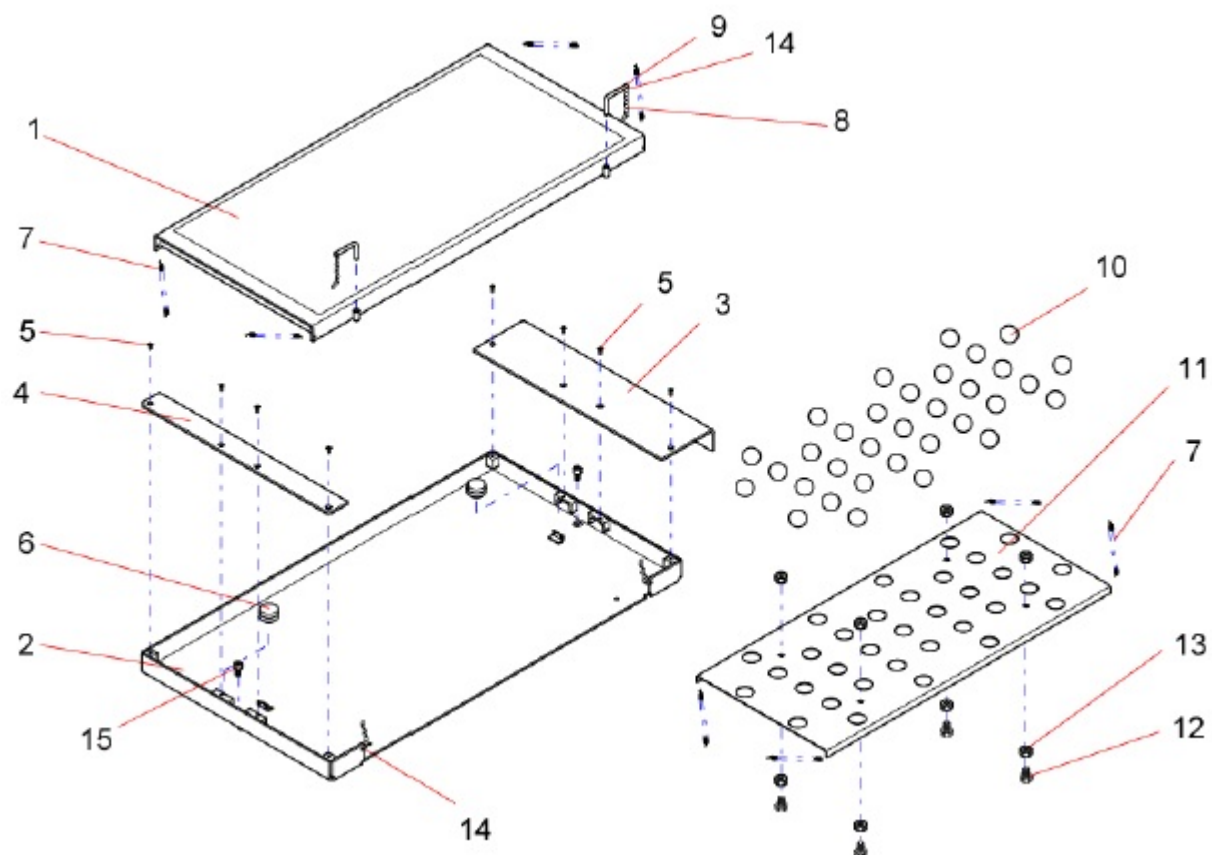
Item No.	Spare Part	Description	Article Number
1	Stop		02 08 56135
2	Ring		02 08 56140
3	Tellerfeder	40/20.4/2.5	22 2093 4020425
4	Holder		02 08 56130
5	Snap Ring	A20x1.2	22 0471 020
6	Washer	A13	22 0125 12 1
7	Hex Head Screw	M12x45	22 0933 12045 1

2.12 Compensating Plates



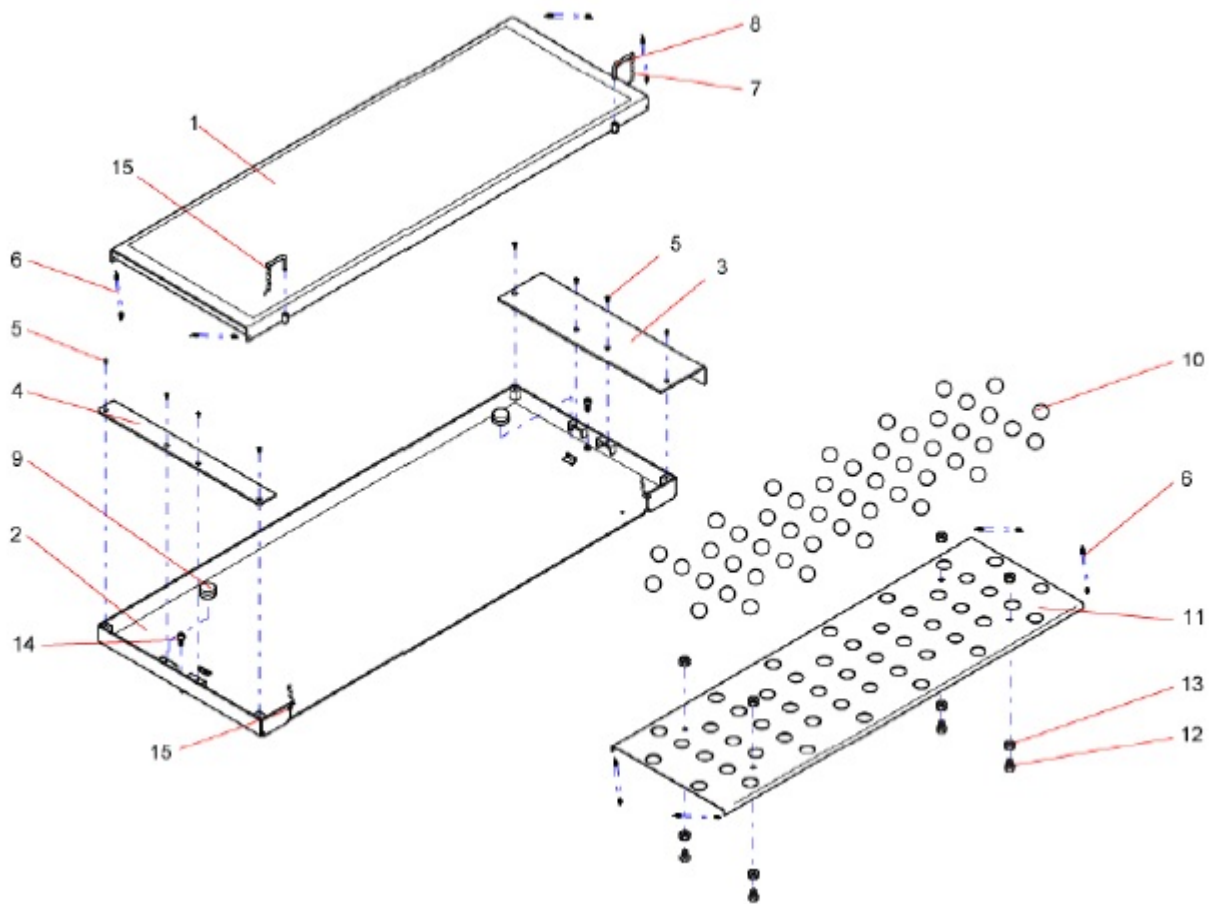
Item No.	Spare Part	Description	Article Number
1	Compensating Plate	65mm	03 08 25800
2	Compensating Plate	100mm	03 08 25811
3	Compensating Plate	140mm	03 08 25821
4	Compensating Plate	200mm	03 08 25831
5	Compensating Plate	250mm	03 08 25841
6	Compensating Plate	280mm	03 08 25851
7	Compensating Plate	300mm	03 08 25861
8	Compensating Plate	350mm	03 08 25866
9	Compensating Plate	400mm	03 08 25871
10	Compensating Plate	450mm	03 08 25881
11	Compensating Plate	500mm	03 08 25891
12	Compensating Plate	1100mm	03 08 25896
13	Compensating Plate	1150mm	03 08 25901
14	Compensating Plate	1200mm	03 08 25905
15	Compensating Plate	1250mm	03 08 25910
16	Compensating Plate	1445mm	03 08 25916
17	Compensating Plate	1460mm	03 08 25921
18	Compensating Plate	1490mm	03 08 25925

2.13 Movable Plate, Standard



Item No.	Spare Part	Description	Article Number
1	Upper Part		03 08 81200
2	Lower Part		03 08 81030
3	Adapter Plate	Long	02 08 81805
	Adapter Plate		02 08 81807
4	Adapter Plate	Short	02 08 81800
5	Countersunk Screw	M6x12	22 7991 06012 1
6	Roller		02 08 81027
7	Tension Spring		23 9110 010 110
8	Chain	ø1.6	03 08 81010
9	Locking Pin		02 08 81035
10	Phenolic Resin Ball		31 7038
11	Ball Cage		02 08 81100
12	Hex Head Screw	M12x20	22 0933 12020 K
13	Hex Nut	M12	22 0934 12 K
14	Key Ring		19 4990
15	Allen Screw	M10x20	22 0912 10020 1

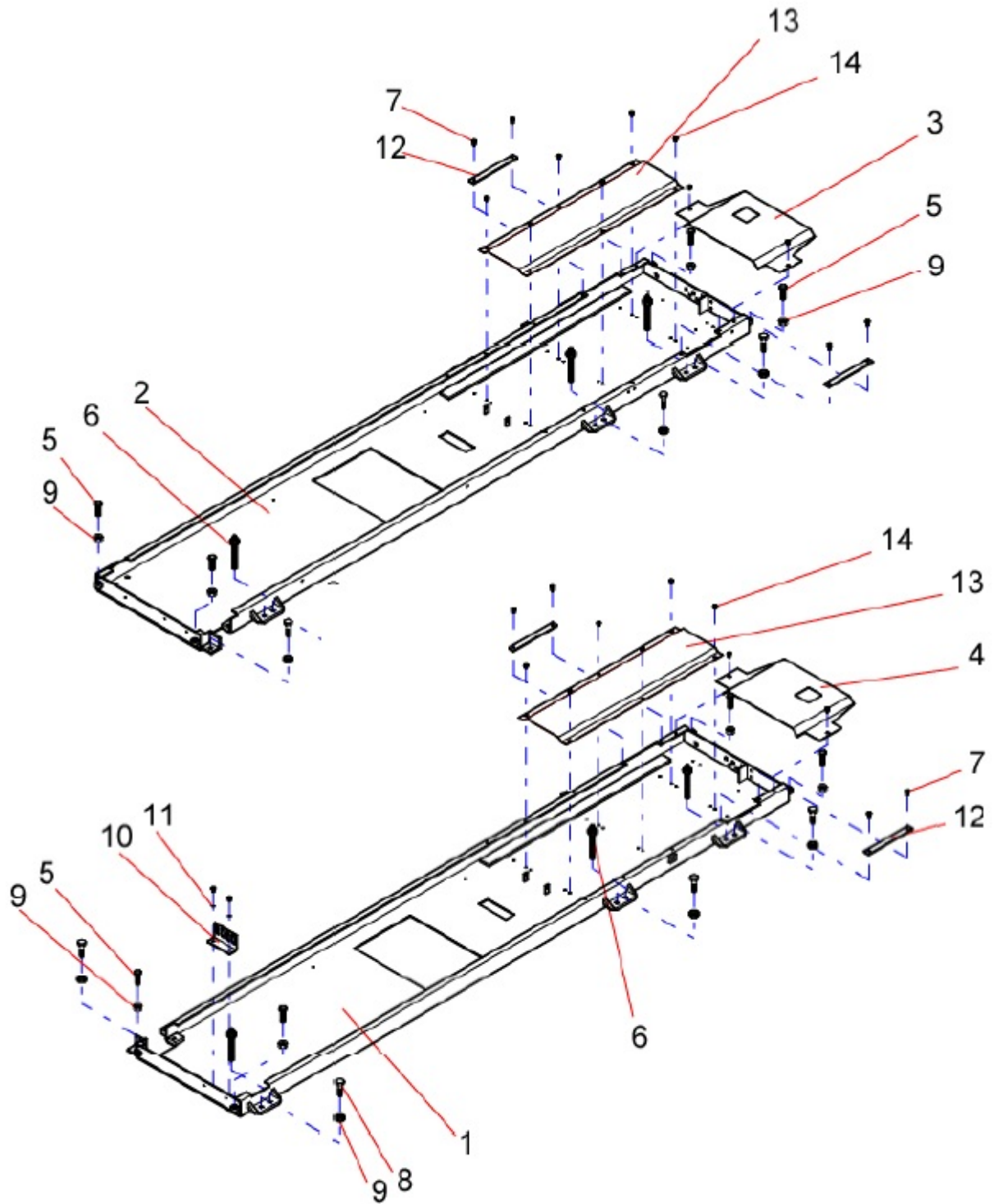
2.14 Movable Plate, Porsche



Item No.	Spare Part	Description	Article Number
1	Upper Part		03 08 81205
2	Lower Part		03 08 81040
3	Adapter Plate	Long	02 08 81805
	Adapter Plate		02 08 81807
4	Adapter Plate	Short	02 08 81800
5	Countersunk Screw	M6x12	22 7991 06012 1
6	Tension Spring		23 9110 010 110
7	Chain	ø1.6	19 5001
8	Locking Pin		02 08 81035
9	Roller		02 08 81027
10	Phenolic Resin Ball		31 7038
11	Ball Cage		02 08 81105
12	Hex Head Screw	M12x20	22 0933 12020 K
13	Hex Nut	M12	22 0934 12 K
14	Allen Screw	M10x20	22 0912 10020 1
15	Key Ring		19 4990

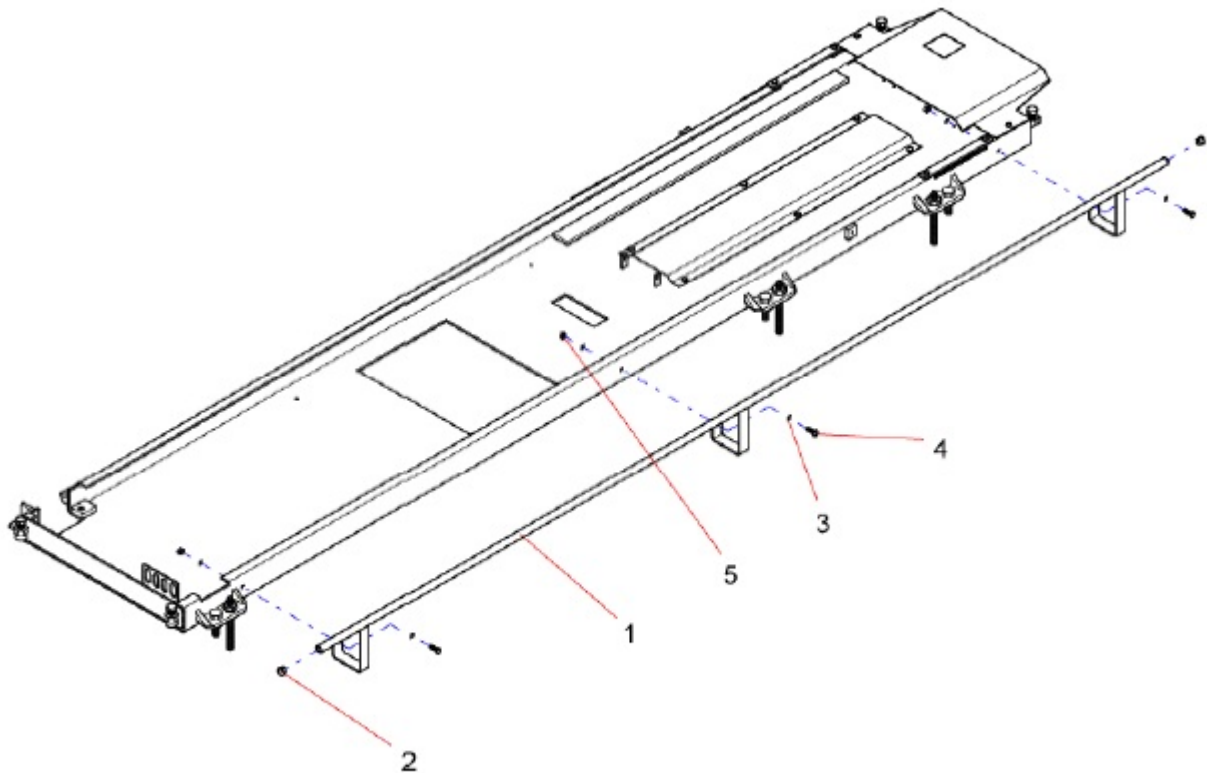
3 Base Plate

3.1 Floor Group



Item No.	Spare Part	Description	Article Number
1	Base Plate	Left	03 08 02100
2	Base Plate	Right	03 08 02105
3	Cover Plate	Right	02 08 02027
4	Cover Plate	Left	02 08 02026
5	Hex Head Screw	M16x50	22 0933 16050 1
6	Heavy Duty Anchor	M10x150mm	23 5050
7	Hex Head Screw	M8x12	22 0933 08012 1
8	Hex Head Screw	M16x60	22 0933 16060 1
9	Hex Nut	M16	22 0934 16 1
10	Support	f. Proximity Switch	02 08 02035
11	Washer	A8.4	22 0125 08 1
12	Cover Plate		02 08 02076
13	Cover Plate	Standard	02 08 02110
	Cover Plate	Double Latch	02 08 02115
14	Hex Head Screw	M8x8	22 0933 08008 K

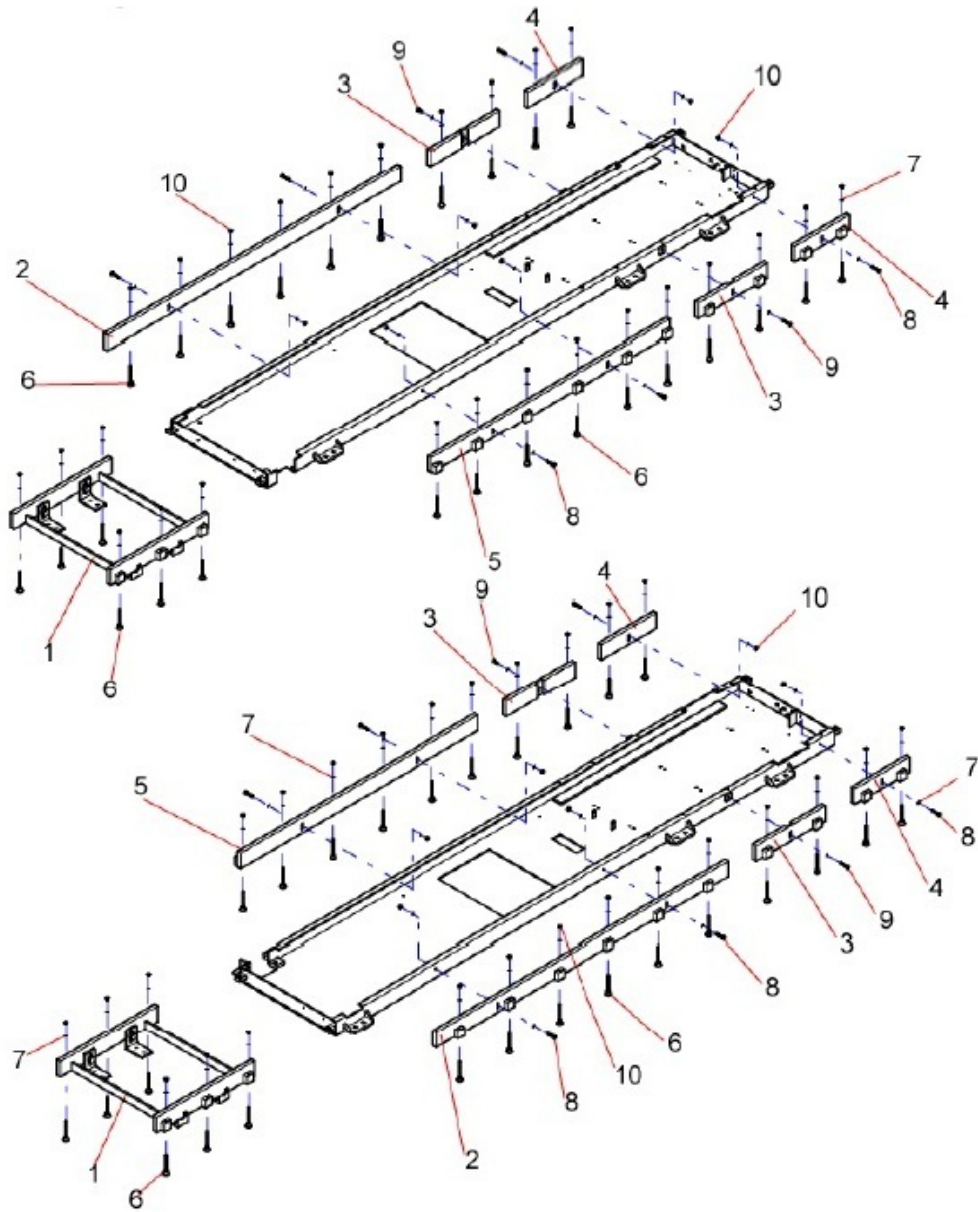
3.2 Safety Bar, Surface Mounted



Item No.	Spare Part	Description	Article Number
1	Safety Bar		03 08 02010
2	Lamellar Plug		31 5075
3	Washer	A8.4	22 0125 08 1
4	Hex Head Screw	M8x25	22 0933 08025 1
5	Hex Nut	M8	22 0934 08 1

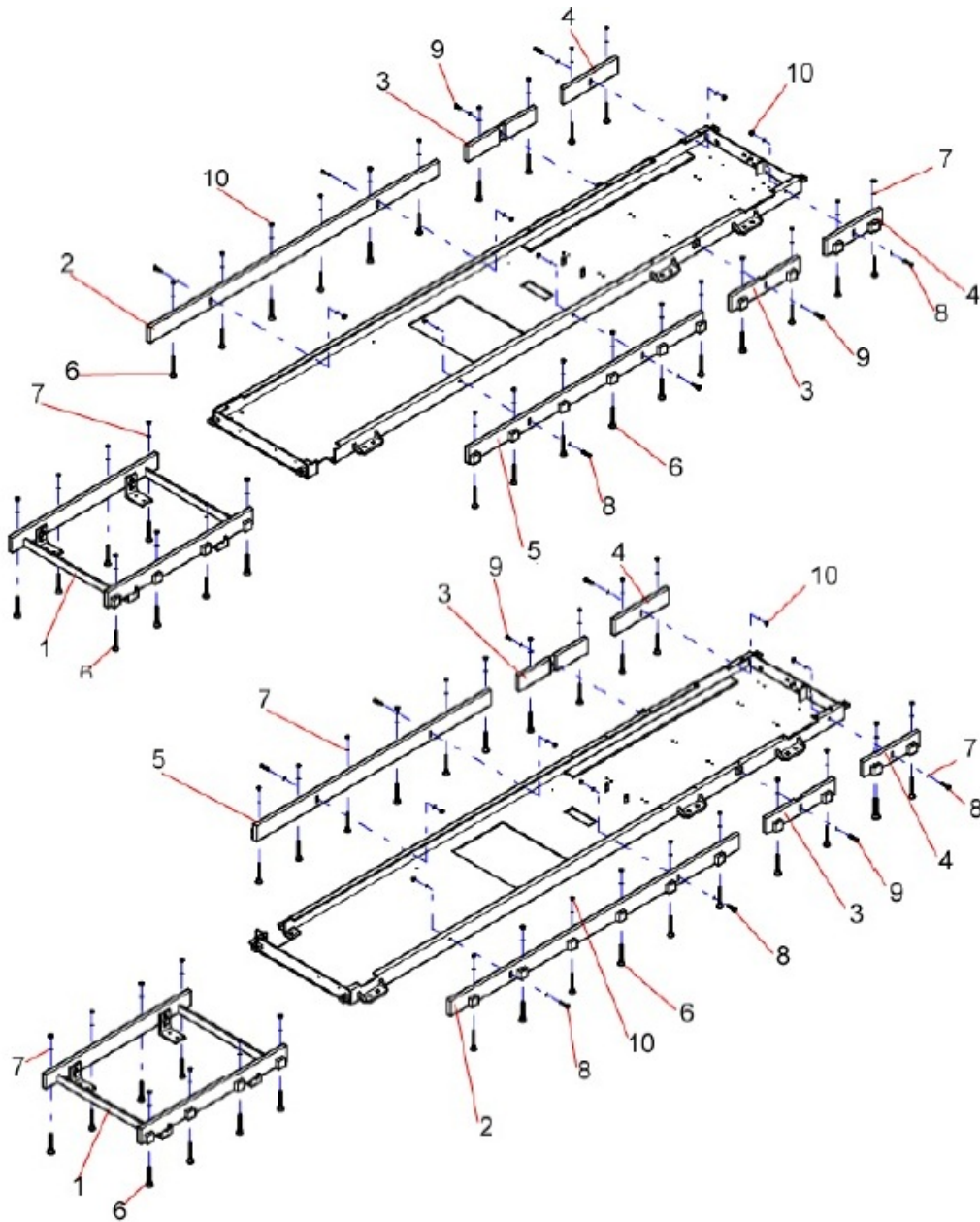
3.3 Supports

3.3.1 Support 4.0m without PMS



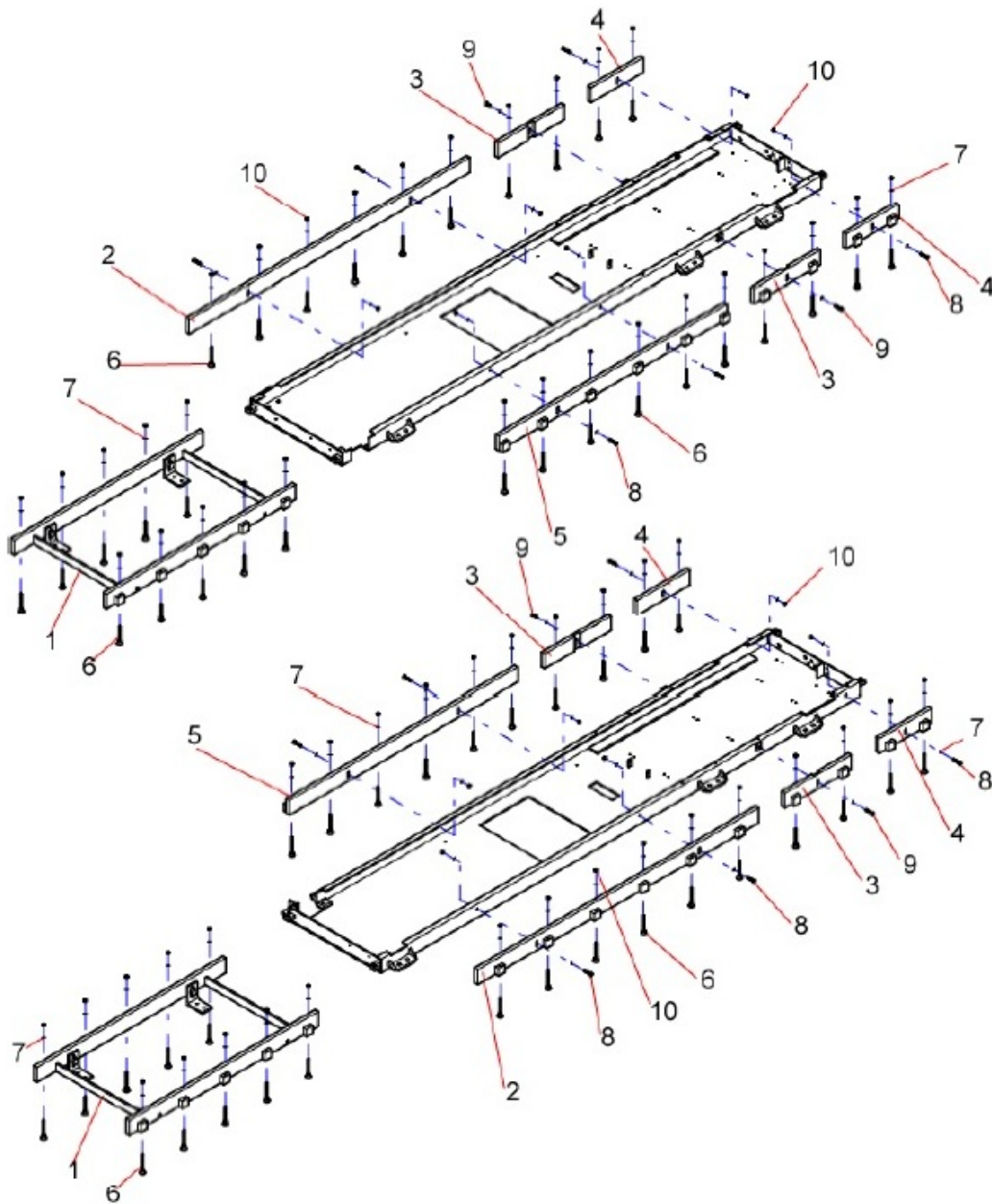
Item No.	Spare Part	Description	Article Number
1	Support	585mm	03 08 02250
2	Support	1760mm	03 08 02215
3	Support	416mm	03 08 02220
4	Support	330mm	03 08 02235
5	Support	1430mm	03 08 02260
6	Hinged Foot	M8x80	23 1430 422
7	Washer	A8.4	22 0125 08 1
8	Hex Head Screw	M8x40	22 0931 08040 1
9	Hex Head Screw	M8x20	22 0933 08020 1
10	Hex Nut	M8	22 0934 08 1

3.3.2 Support 4.4m without PMS



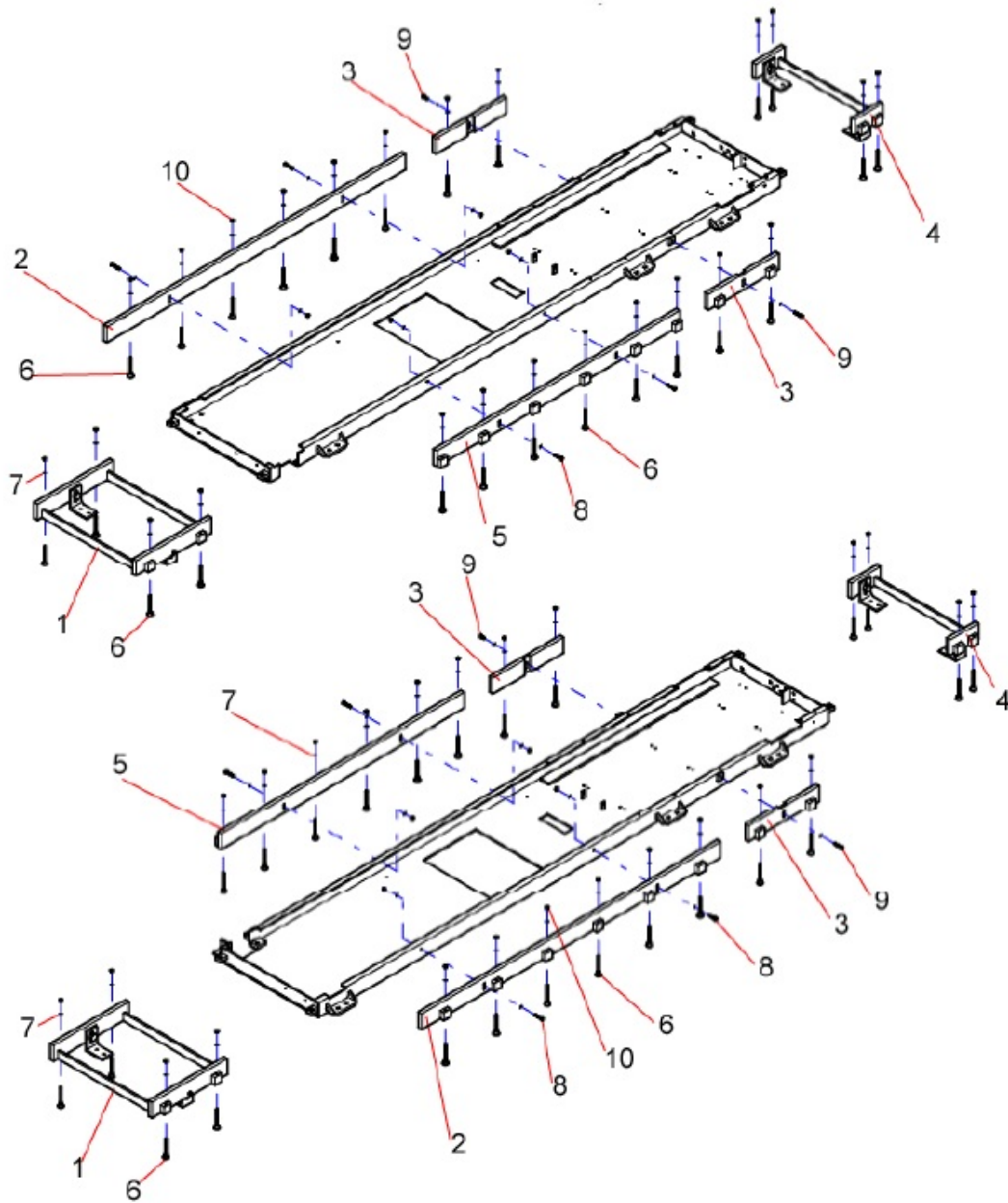
Item No.	Spare Part	Description	Article Number
1	Support	585mm	03 08 02280
2	Support	1760mm	03 08 02215
3	Support	416mm	03 08 02220
4	Support	330mm	03 08 02235
5	Support	1430mm	03 08 02260
6	Hinged Foot	M8x80	23 1430 422
7	Washer	A8.4	22 0125 08 1
8	Hex Head Screw	M8x40	22 0931 08040 1
9	Hex Head Screw	M8x20	22 0933 08020 1
10	Hex Nut	M8	22 0934 08 1

3.3.3 Support 4.8m without PMS



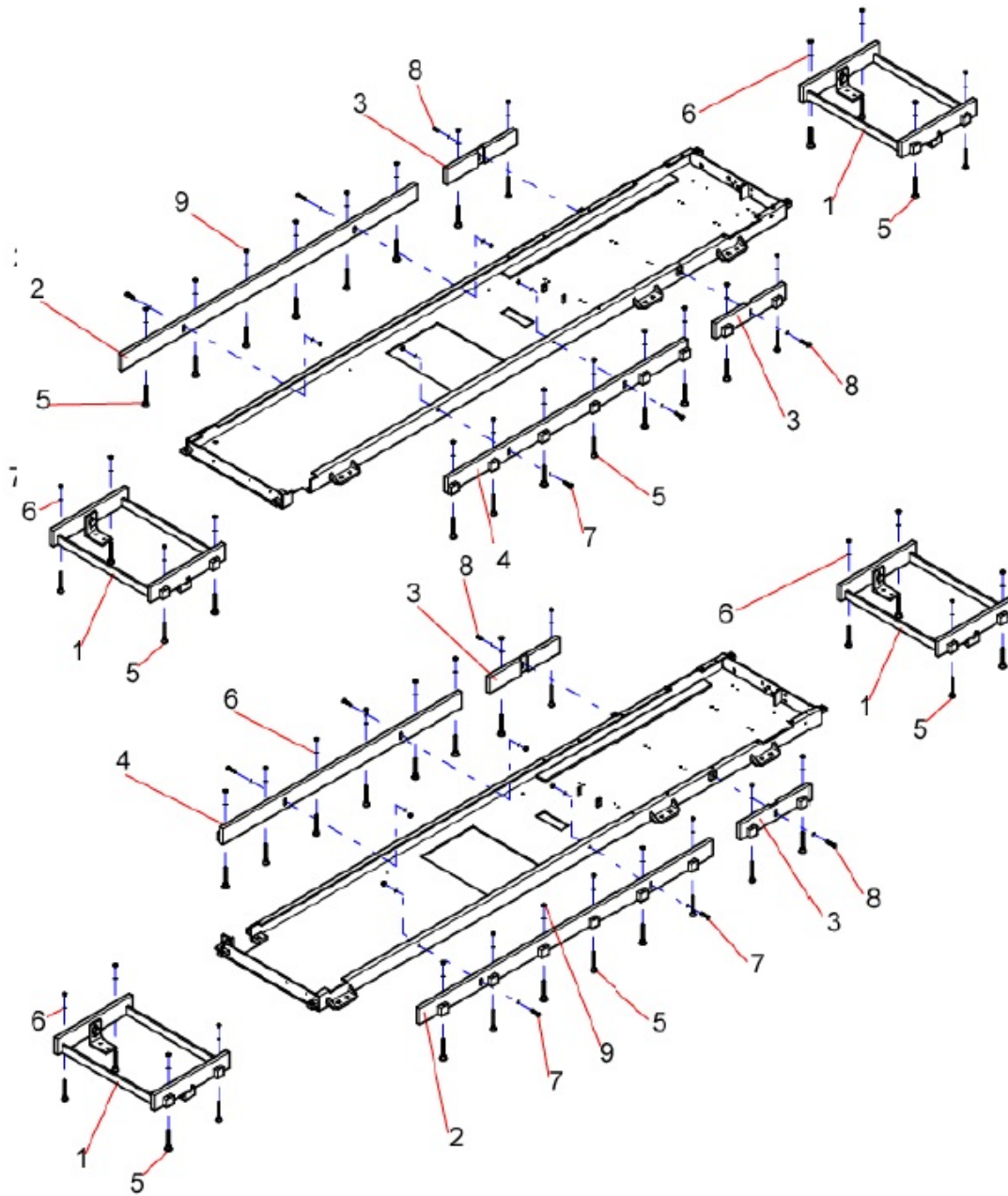
Item No.	Spare Part	Description	Article Number
1	Support	1185mm	03 08 02300
2	Support	1760mm	03 08 02215
3	Support	416mm	03 08 02220
4	Support	330mm	03 08 02235
5	Support	1430mm	03 08 02260
6	Hinged Foot	M8x80	23 1430 422
7	Washer	A8.4	22 0125 08 1
8	Hex Head Screw	M8x40	22 0931 08040 1
9	Hex Head Screw	M8x20	22 0933 08020 1
10	Hex Nut	M8	22 0934 08 1

3.3.4 Support 4.0m with PMS



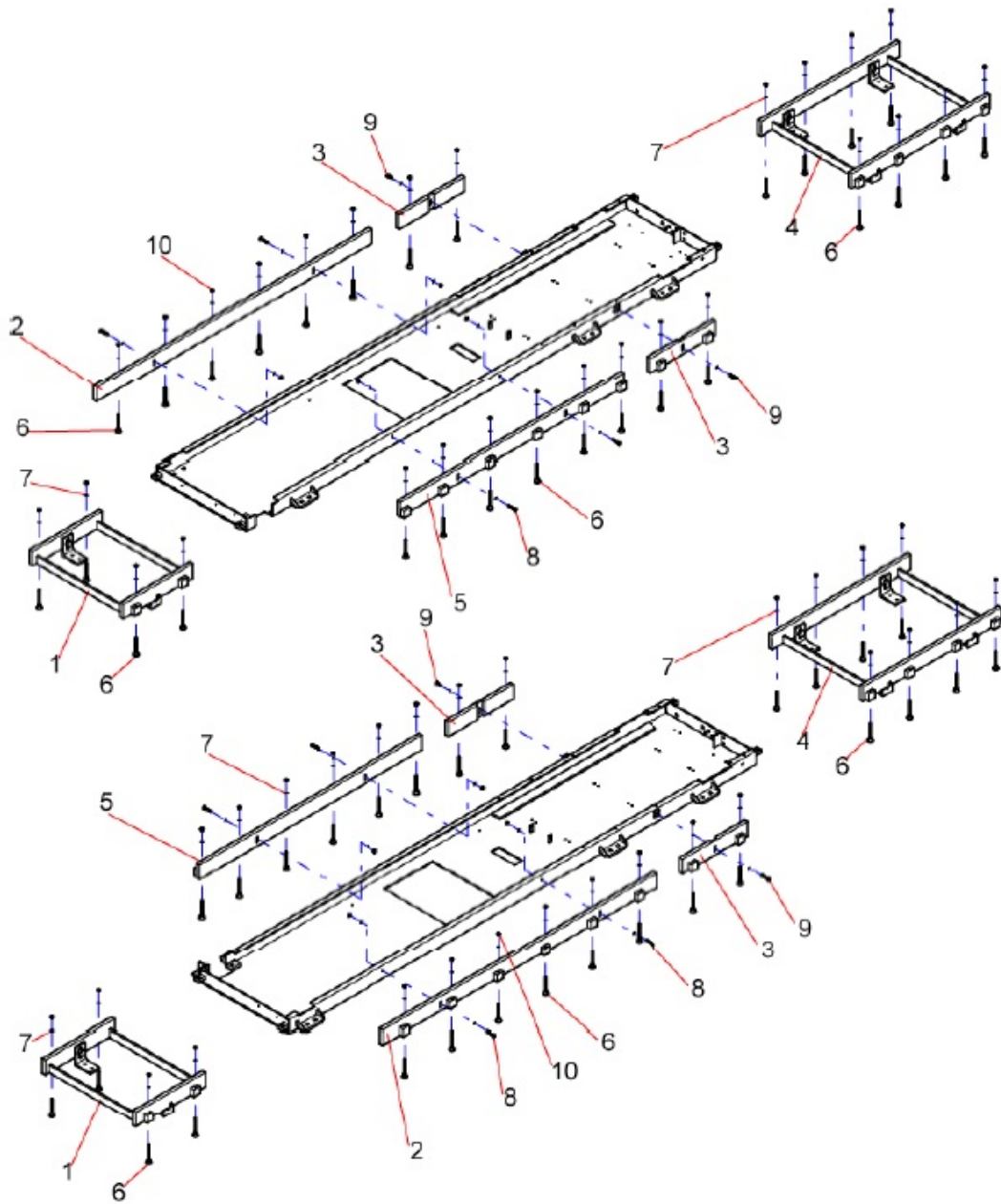
Item No.	Spare Part	Description	Article Number
1	Support	445mm	03 08 02330
2	Support	1760mm	03 08 02215
3	Support	416mm	03 08 02220
4	Support	170mm	03 08 02370
5	Support	1430mm	03 08 02260
6	Hinged Foot	M8x80	23 1430 422
7	Washer	A8.4	22 0125 08 1
8	Hex Head Screw	M8x40	22 0931 08040 1
9	Hex Head Screw	M8x20	22 0933 08020 1
10	Hex Nut	M8	22 0934 08 1

3.3.5 Support 4.4m with PMS



Item No.	Spare Part	Description	Article Number
1	Support	445mm	03 08 02330
2	Support	1760mm	03 08 02215
3	Support	416mm	03 08 02220
4	Support	1430mm	03 08 02260
5	Hinged Foot	M8x80	23 1430 422
6	Washer	A8.4	22 0125 08 1
7	Hex Head Screw	M8x40	22 0931 08040 1
8	Hex Head Screw	M8x20	22 0933 08020 1
9	Hex Nut	M8	22 0934 08 1

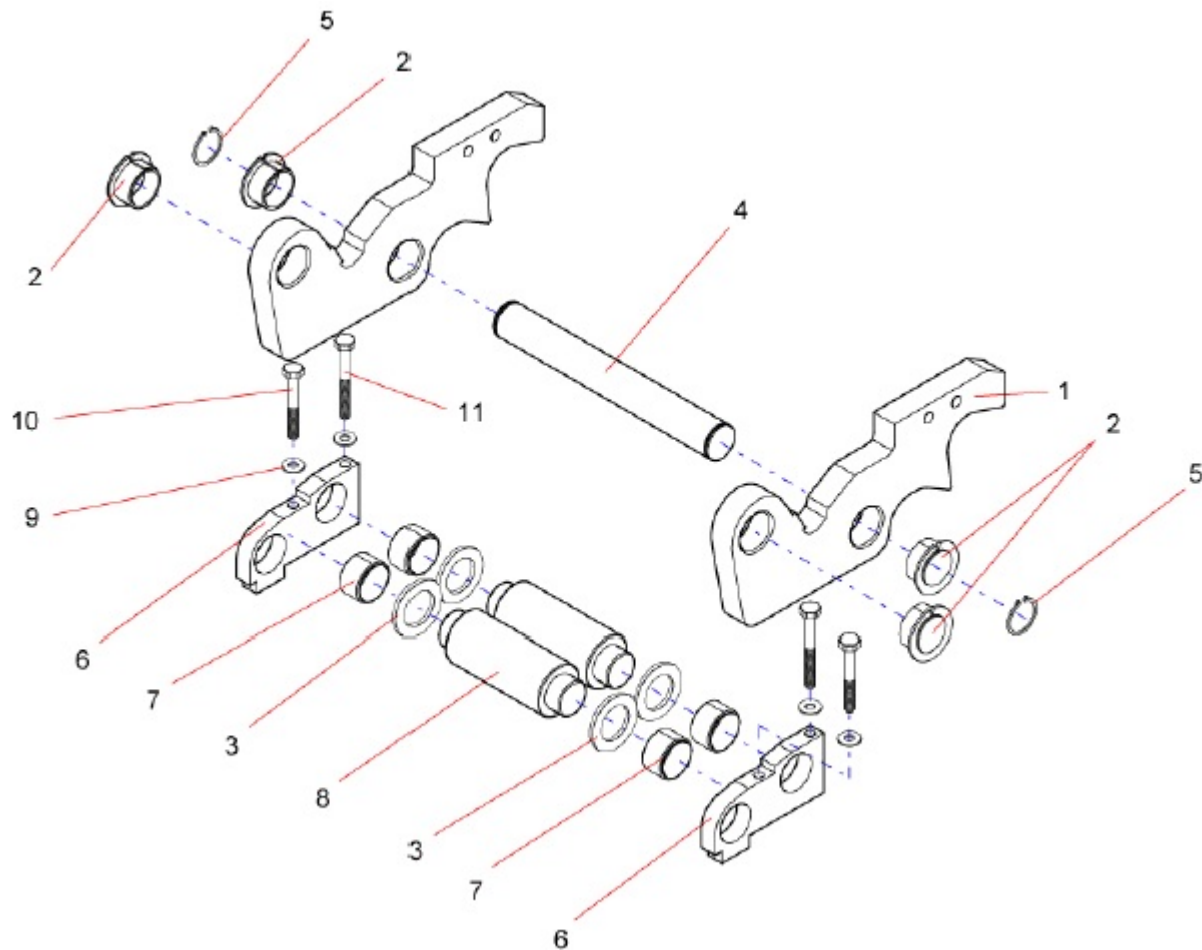
3.3.6 Support 4.8m with PMS



Item No.	Spare Part	Description	Article Number
1	Support	445mm	03 08 02330
2	Support	1760mm	03 08 02215
3	Support	416mm	03 08 02223
4	Support	885mm	03 08 02380
5	Support	1430mm	03 08 02200
6	Hinged Foot	M8x80	23 1430 422
7	Washer	A8.4	22 0125 08 1
8	Hex Head Screw	M8x40	22 0931 08040 1
9	Hex Head Screw	M8x20	22 0933 08020 1
10	Hex Nut	M8	22 0934 08 1

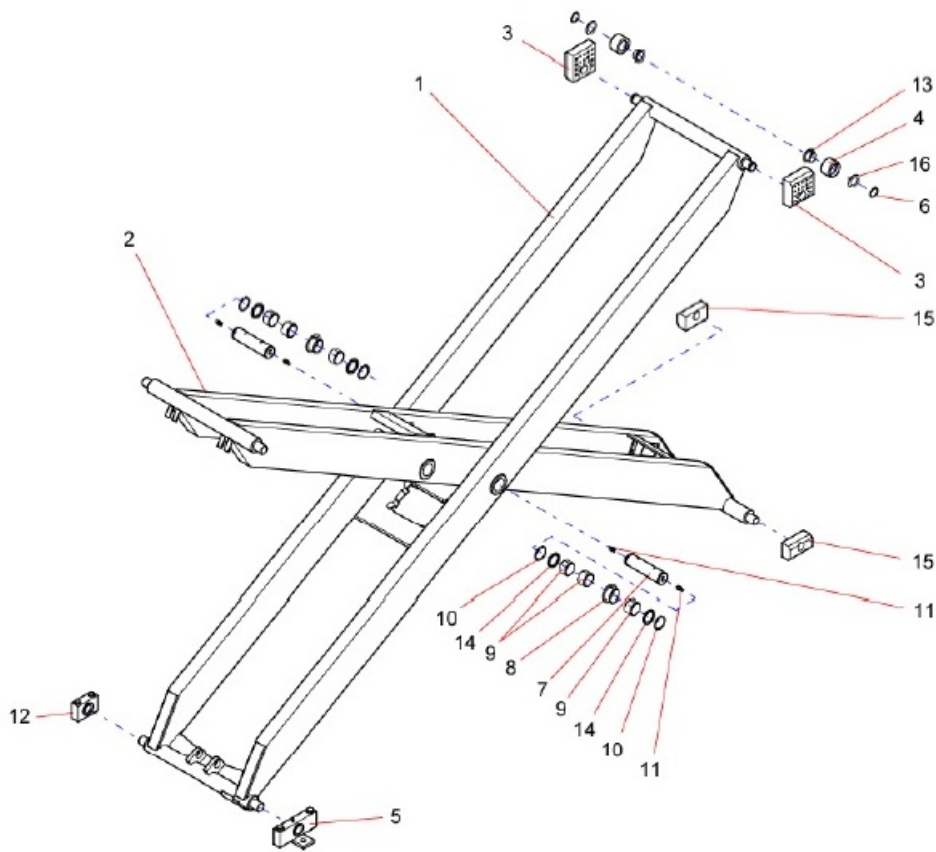
4 Lifting Scissors

4.1 Raising Lever



Item No.	Spare Part	Description	Article Number
1	Raising Lever		02 08 56008
2	Friction Bearing		24 1741 1
3	Shim Ring	40x50x0.5	22 0988 405005
	Shim Ring	40x50x1	22 0988 405010
	Shim Ring	40x50x2	22 0988 405020
4	Shaft		02 08 17110
5	Snap Ring	40x1.75	22 0471 040
6	Bearing Bracket		02 08 56124
7	Cuscinetto a strisciamento		24 1740 5
8	Roller		02 08 56125
9	Washer	A10.5	22 0125 10 1
10	Hex Head Screw	M10x80	22 0931 10080 1
11	Hex Head Screw	M10x90	22 0931 10090 1

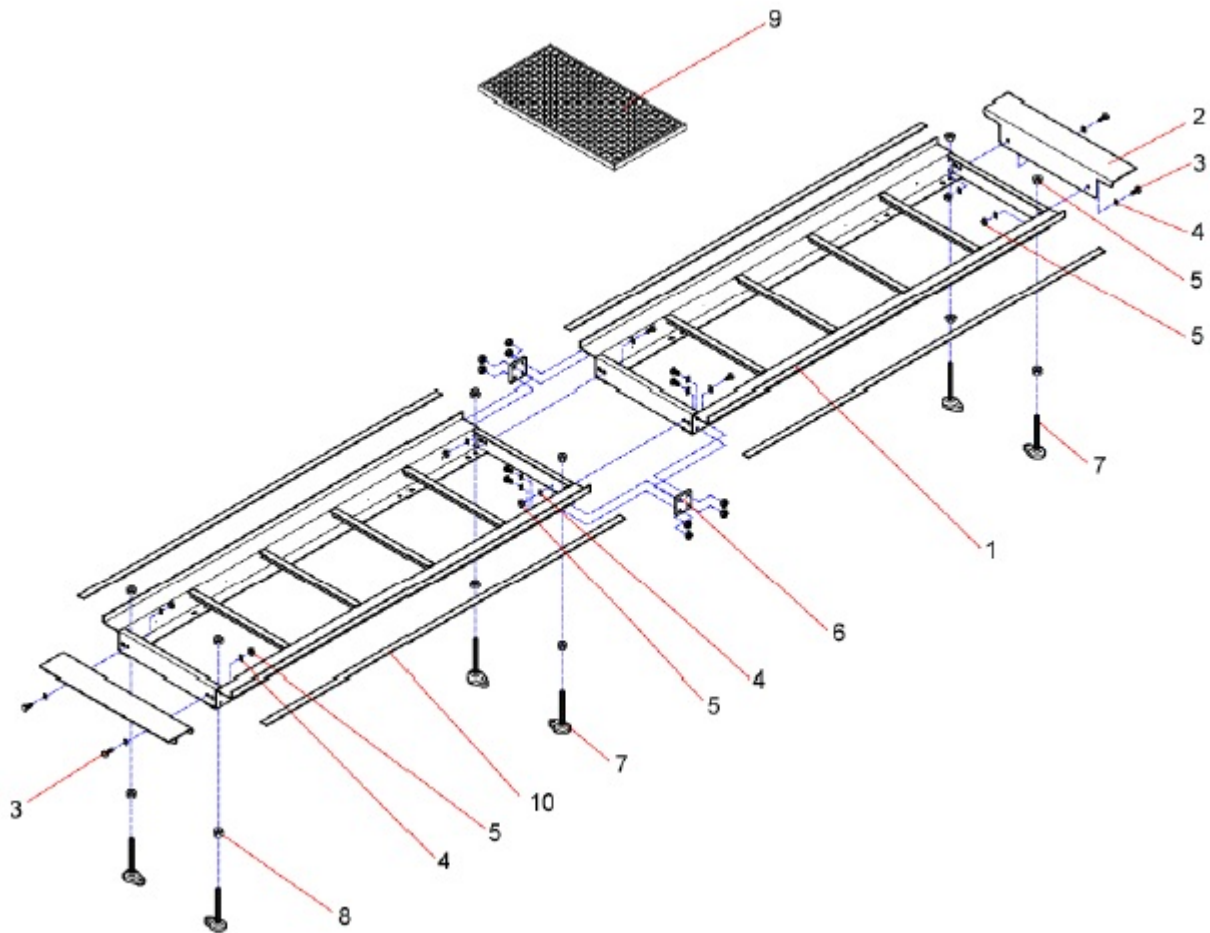
4.2 Scissors, Assy



Item No.	Spare Part	Description	Article Number
1	Scissors	Outside	03 08 18400
2	Scissors	Inside	03 08 18500
3	Slider Block		02 08 17115
	Slider Block	PMS	02 08 20208
4	Roller		02 08 17065
5	Thrust Bearing Bracket	Inside	03 08 02023
6	Snap Ring	30x1.5	22 0471 030
7	Shaft		02 08 10530
8	Cuscinetto a strisciamento		24 1741 1
9	Cuscinetto a strisciamento		24 1742
10	Snap Ring	40x1.75	22 0471 040
11	Lubricating Nipple		23 0400
12	Thrust Bearing Bracket	Outside	03 08 02015
13	Cuscinetto a strisciamento		24 1732 1
14	Shim Ring	40x50x2.5	22 0988 405025
15	Slider Block		31 6051
16	Shim Ring	30x42x1	22 0988 304210
	Shim Ring	30x42x1.5	22 0988 304215
	Shim Ring	30x42x2.5	22 0988 304220

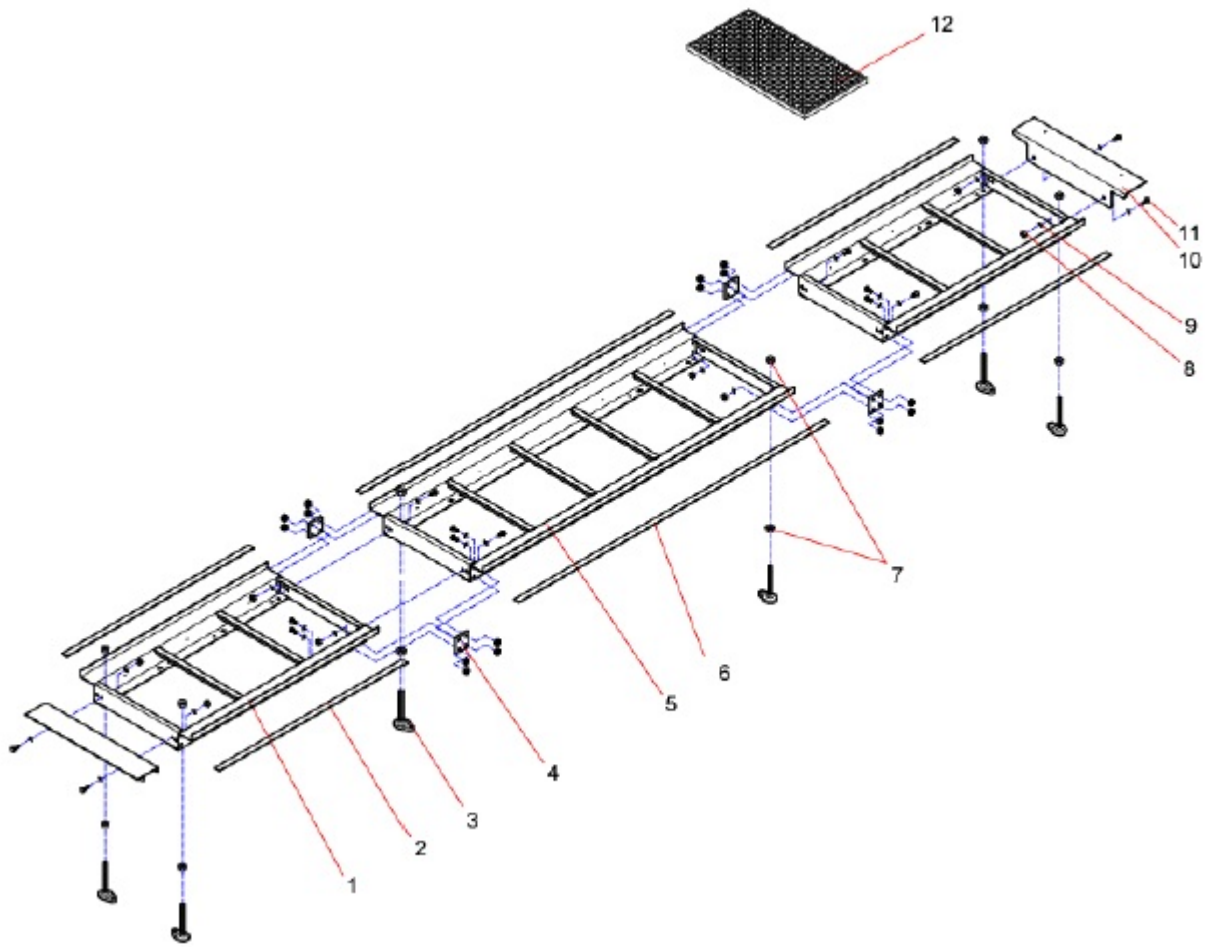
5 Gratings and Floor Covers

5.1 Grating 4.0m



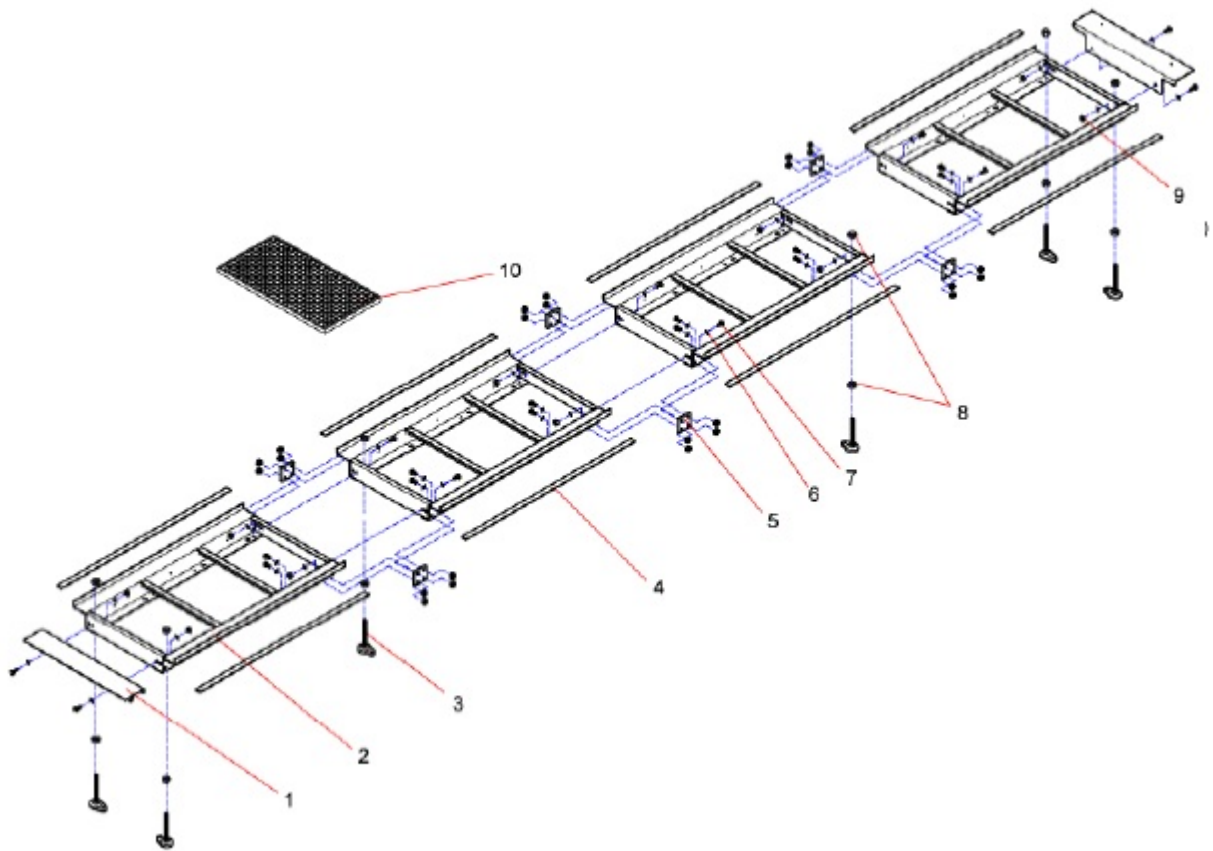
Item No.	Spare Part	Description	Article Number
1	Base Frame	1977mm	03 08 84100
2	Connection Angle		05 08 84110
3	Hex Head Screw	M12x25	22 0933 12025 1
4	Washer	A13	22 0125 12 1
5	Hex Nut	M12	22 0934 12 1
6	Connecting Plate		05 08 84120
7	Adjusting Foot		23 1429
8	Hex Nut	M16	22 0934 16 1
9	Grating	without Frame	14 6075 1
10	Support Rubber		02 08 84035

5.2 Grating 4.4m



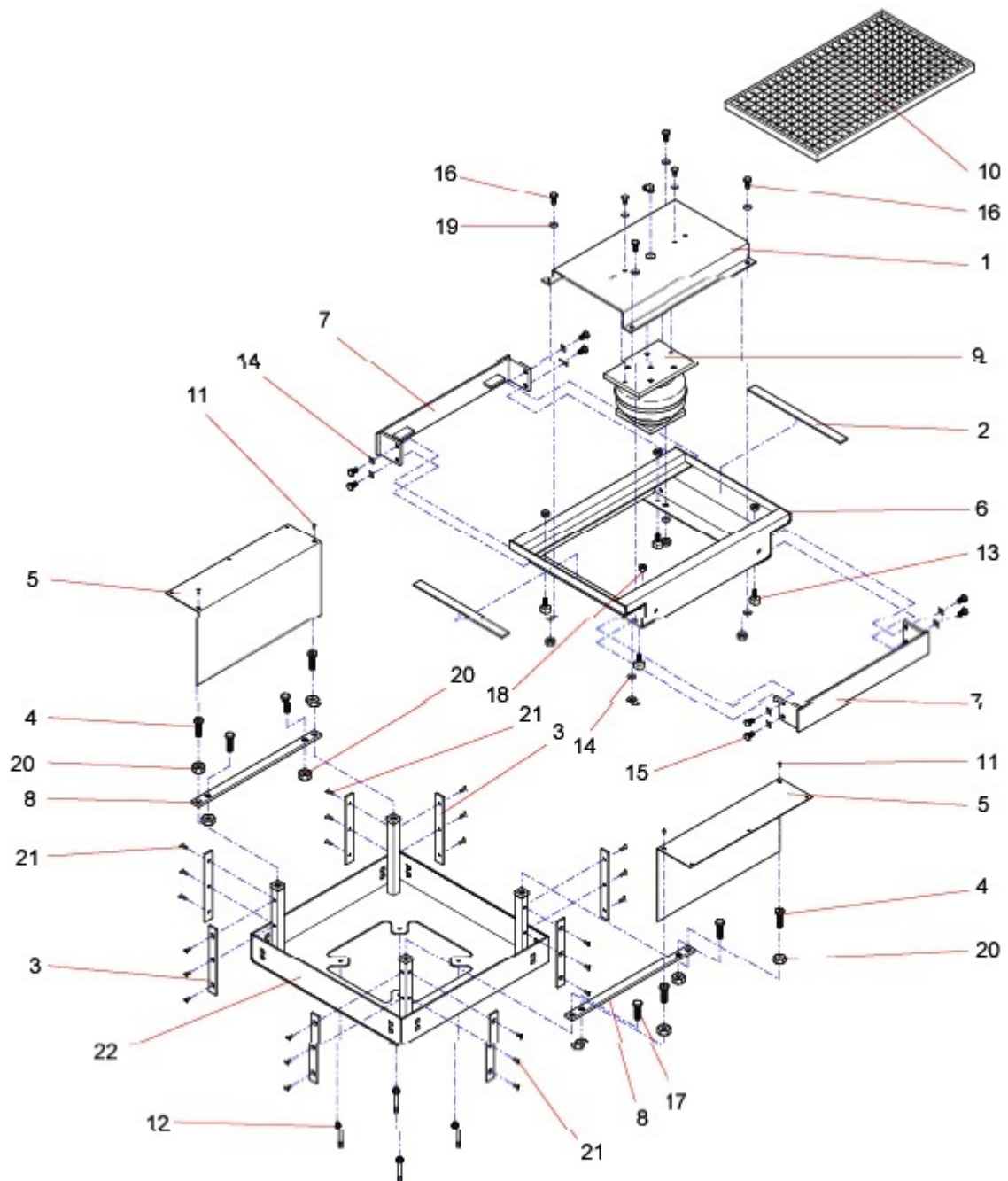
Item No.	Spare Part	Description	Article Number
1	Base Frame	1187mm	03 08 84050
2	Support Rubber		03 08 84030
3	Adjusting Foot		23 1429
4	Connecting Plate		05 08 84120
5	Base Frame	1977mm	03 08 84100
6	Support Rubber		02 08 84035
7	Hex Nut	M16	22 0934 16 1
8	Hex Nut	M12	22 0934 12 1
9	Washer	A13	22 0125 12 1
10	Connection Angle		05 08 84110
11	Hex Head Screw	M12x25	22 0933 12025 1
12	Grating	without Frame	14 6075 1

5.3 Grating 4.8m



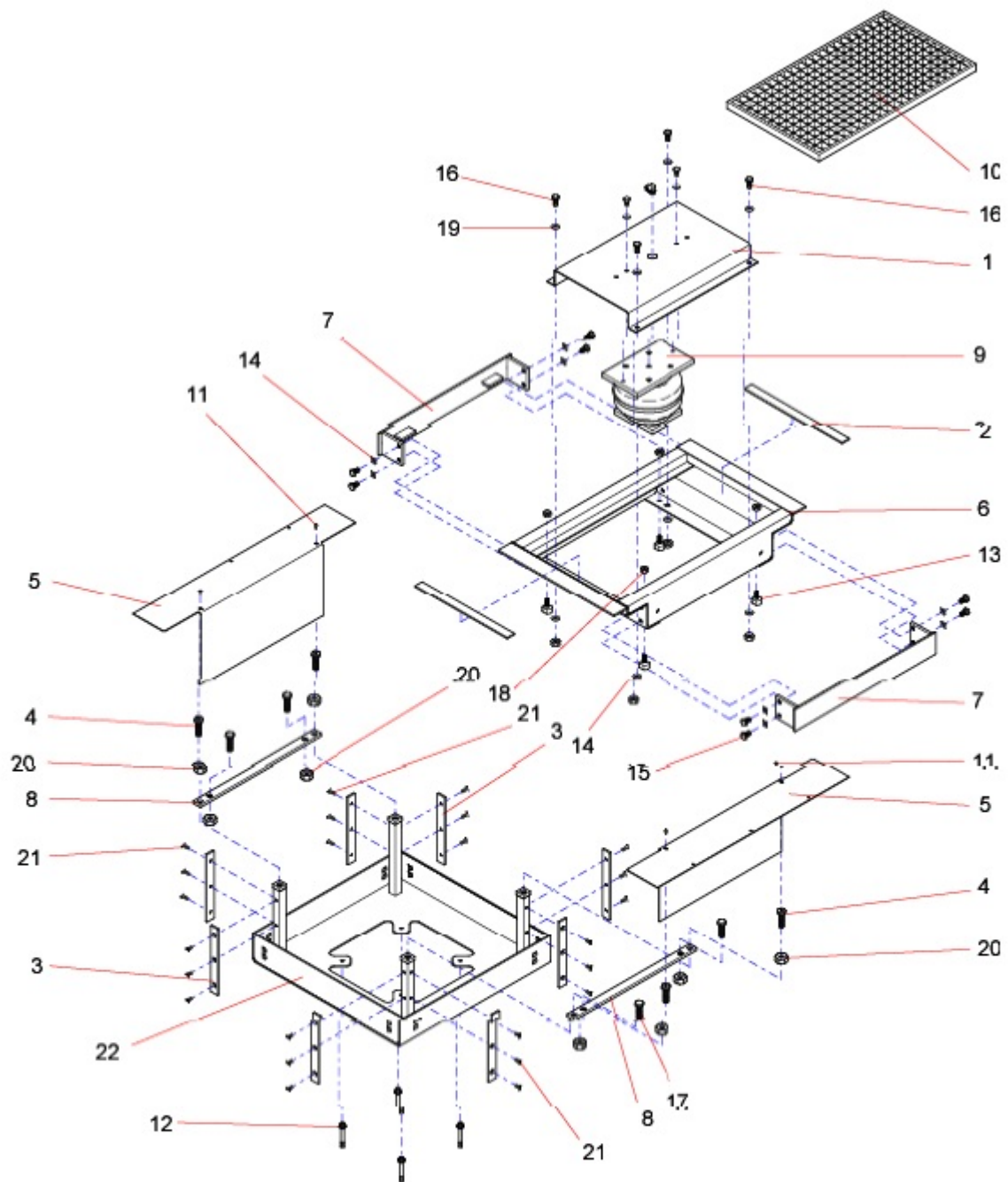
Item No.	Spare Part	Description	Article Number
1	Connection Angle		05 08 84110
2	Base Frame	1187mm	03 08 84050
3	Adjusting Foot		23 1429
4	Support Rubber		03 08 84030
5	Connecting Plate		05 08 84120
6	Washer	A13	22 0125 12 1
7	Hex Head Screw	M12x25	22 0933 12025 1
8	Hex Nut	M16	22 0934 16 1
9	Hex Nut	M12	22 0934 12 1
10	Grating	without Frame	14 6075 1

5.4 Floor Cover for Axle Jack



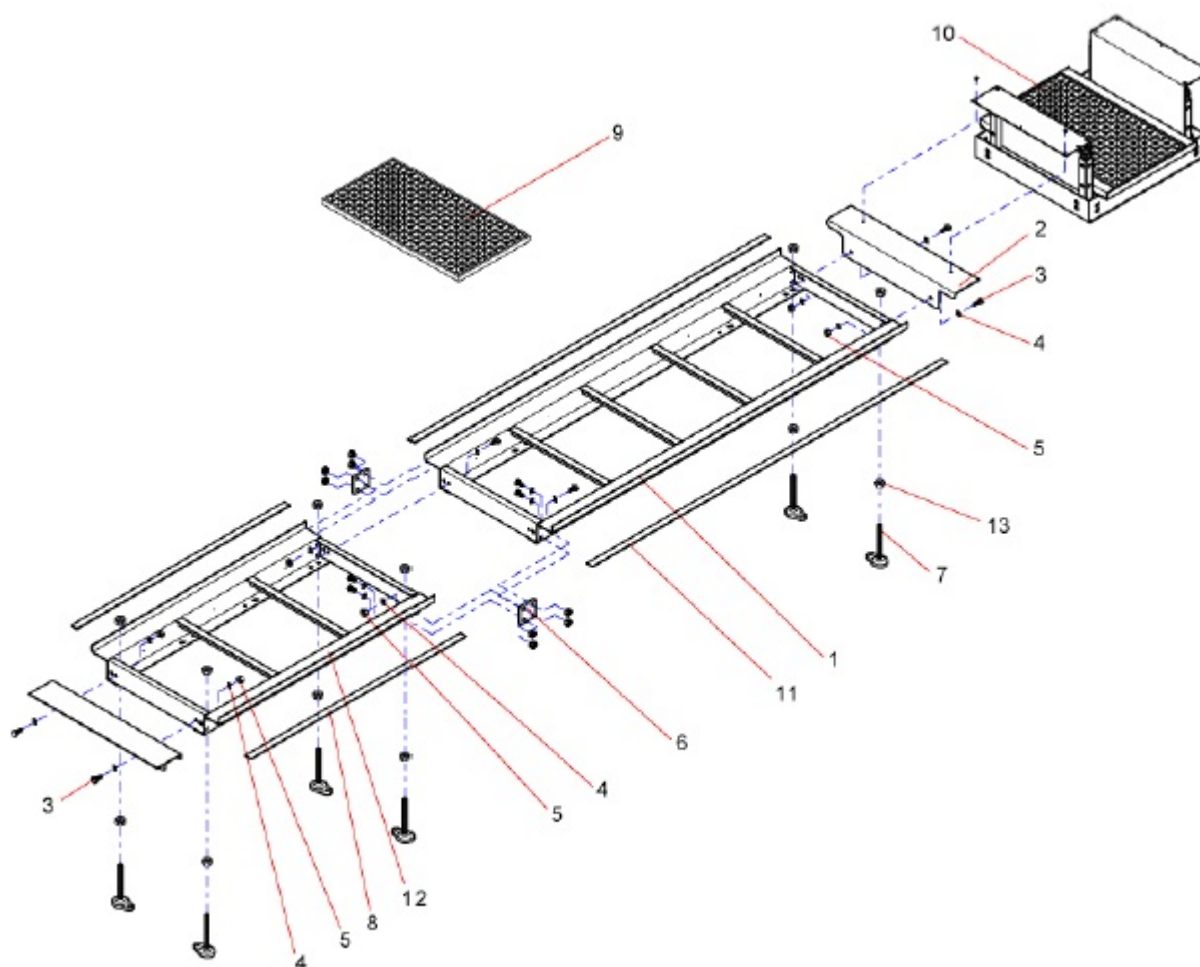
Item No.	Spare Part	Description	Article Number
1	Support Plate		02 08 84570
2	Support Rubber		02 08 84050
3	Guide		02 08 86005
4	Adjusting Screw		02 08 86010
5	Cover Plate		02 08 84580
6	Base Frame	495mm	03 08 84250
7	Guide		03 08 84350
8	Stop		02 08 84590
9	Air Bellows	Assembly	03 08 86030
10	Grating	without Frame	14 6075 1
11	Binding Head Screw	M6x10	23 3078
12	Anchor Bolt	B-L 10/15	23 5090
13	Dowel Pin	M10x29	31 6203
14	Washer	A13	22 0125 12 1
15	Hex Head Screw	M12x30	22 0933 12030 1
16	Hex Head Screw	M12x25	22 0933 12025 1
17	Hex Head Screw	M16x50	22 0933 16050 1
18	Hex Nut	M10	22 0934 10 1
19	Hex Nut	M12	22 0934 12 1
20	Hex Nut	M16	22 0934 16 1
21	Countersunk Screw	M8x16	22 7991 08016 1
22	Travel Stop		03 08 84400

5.5 Floor Cover 950 for Axle Jack



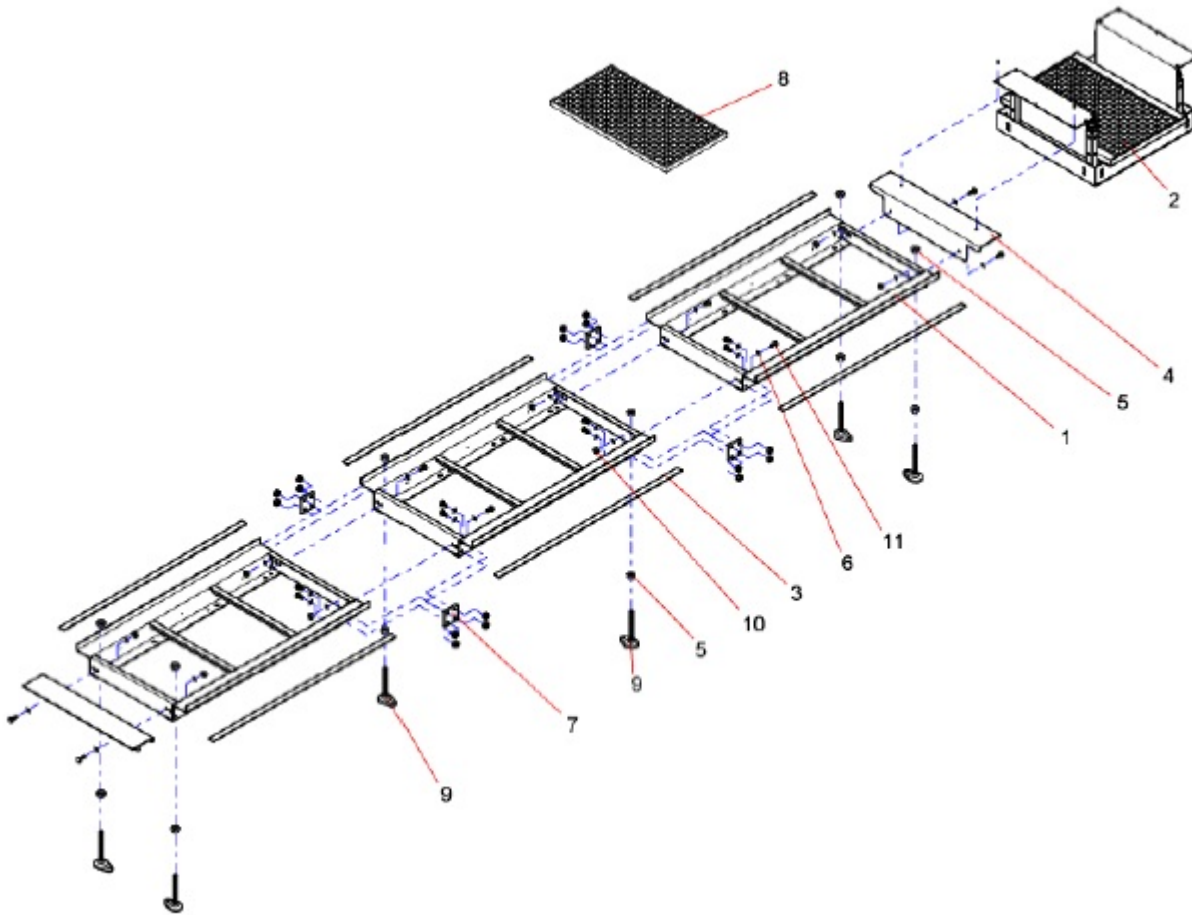
Item No.	Spare Part	Description	Article Number
1	Support Plate		02 08 84570
2	Support Rubber		02 08 84050
3	Guide		02 08 86005
4	Adjusting Screw		02 08 86010
5	Cover Plate		02 08 84582
6	Base Frame		03 08 84255
7	Guide		03 08 84350
8	Stop		02 08 84590
9	Air Bellows	Assembly	03 08 86030
10	Grating	without Frame	14 6075 1
11	Binding Head Screw	M6x10	23 3078
12	Anchor Bolt	B-L 10/15	23 5090
13	Dowel Pin	M10x29	31 6203
14	Washer	A13	22 0125 12 1
15	Hex Head Screw	M12x30	22 0933 12030 1
16	Hex Head Screw	M12x25	22 0933 12025 1
17	Hex Head Screw	M16x50	22 0933 16050 1
18	Hex Nut	M10	22 0934 10 1
19	Hex Nut	M12	22 0934 12 1
20	Hex Nut	M16	22 0934 16 1
21	Countersunk Screw	M8x16	22 7991 08016 1
22	Travel Stop		03 08 84400
	Travel Stop	380mm	03 08 84410

5.6 Grating with Floor Cover 4.0m



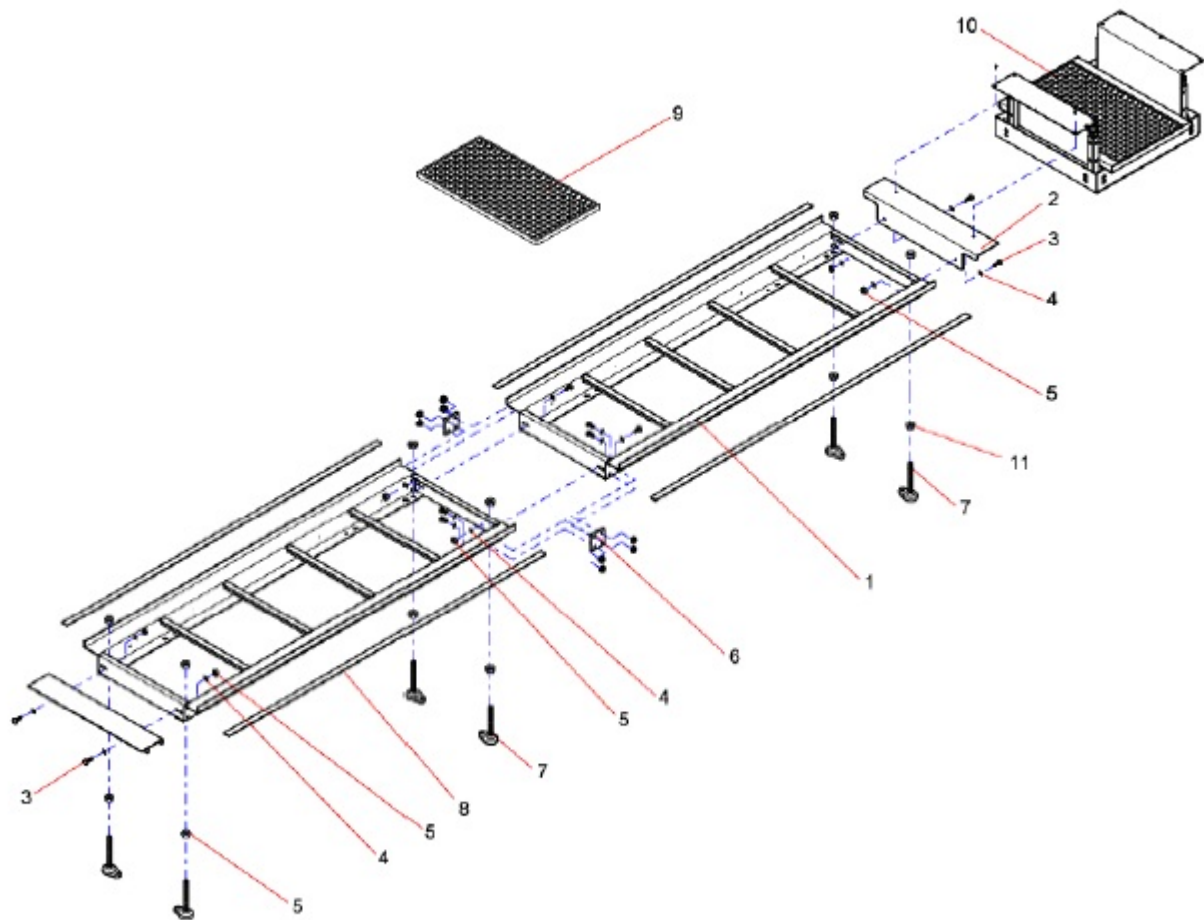
Item No.	Spare Part	Description	Article Number
1	Base Frame	1977mm	03 08 84100
2	Connection Angle		05 08 84110
3	Hex Head Screw	M12x25	22 0933 12025 1
4	Washer	A13	22 0125 12 1
5	Hex Nut	M12	22 0934 12 1
6	Connecting Plate		05 08 84120
7	Adjusting Foot		23 1429
8	Support Rubber	1975mm	02 08 84035
9	Grating	without Frame	14 6075 1
10	Floor Cover	for Axle Jack	05 08 84450
11	Support Rubber	1185mm	02 08 84030
12	Base Frame	1187mm	03 08 84050
13	Hex Nut	M16	22 0934 16 1

5.7 Grating with Floor Cover 4.4m



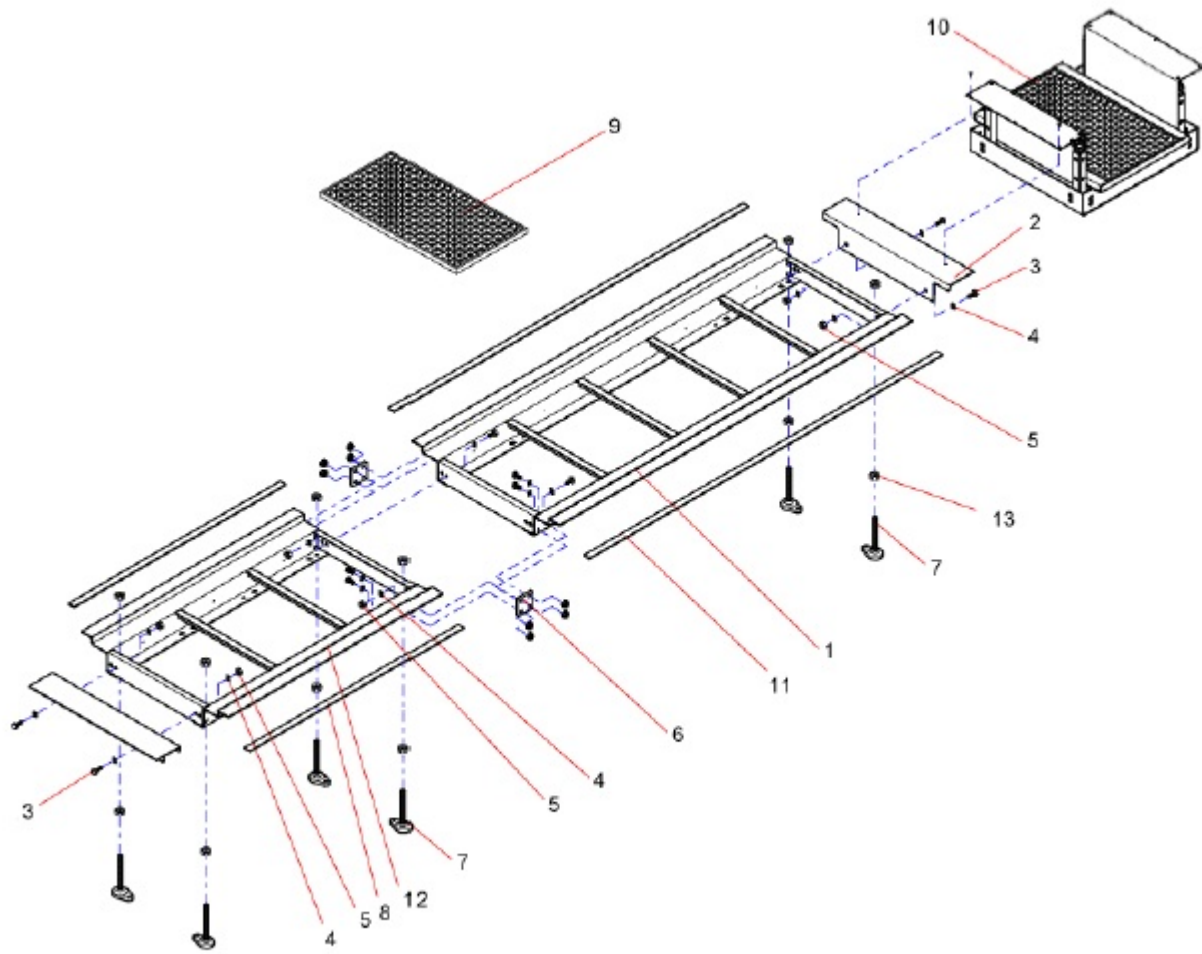
Item No.	Spare Part	Description	Article Number
1	Base Frame	1187mm	03 08 84050
2	Floor Cover	for Axle Jack	05 08 84450
3	Support Rubber		02 08 84030
4	Connection Angle		05 08 84110
5	Hex Nut	M16	22 0934 16 1
6	Washer	A13	22 0125 12 1
7	Connecting Plate		05 08 84120
8	Grating	without Frame	14 6075 1
9	Adjusting Foot		23 1429
10	Hex Nut	M12	22 0934 12 1
11	Hex Head Screw	M12x25	22 0933 12025 1

5.8 Grating with Floor Cover 4.8m



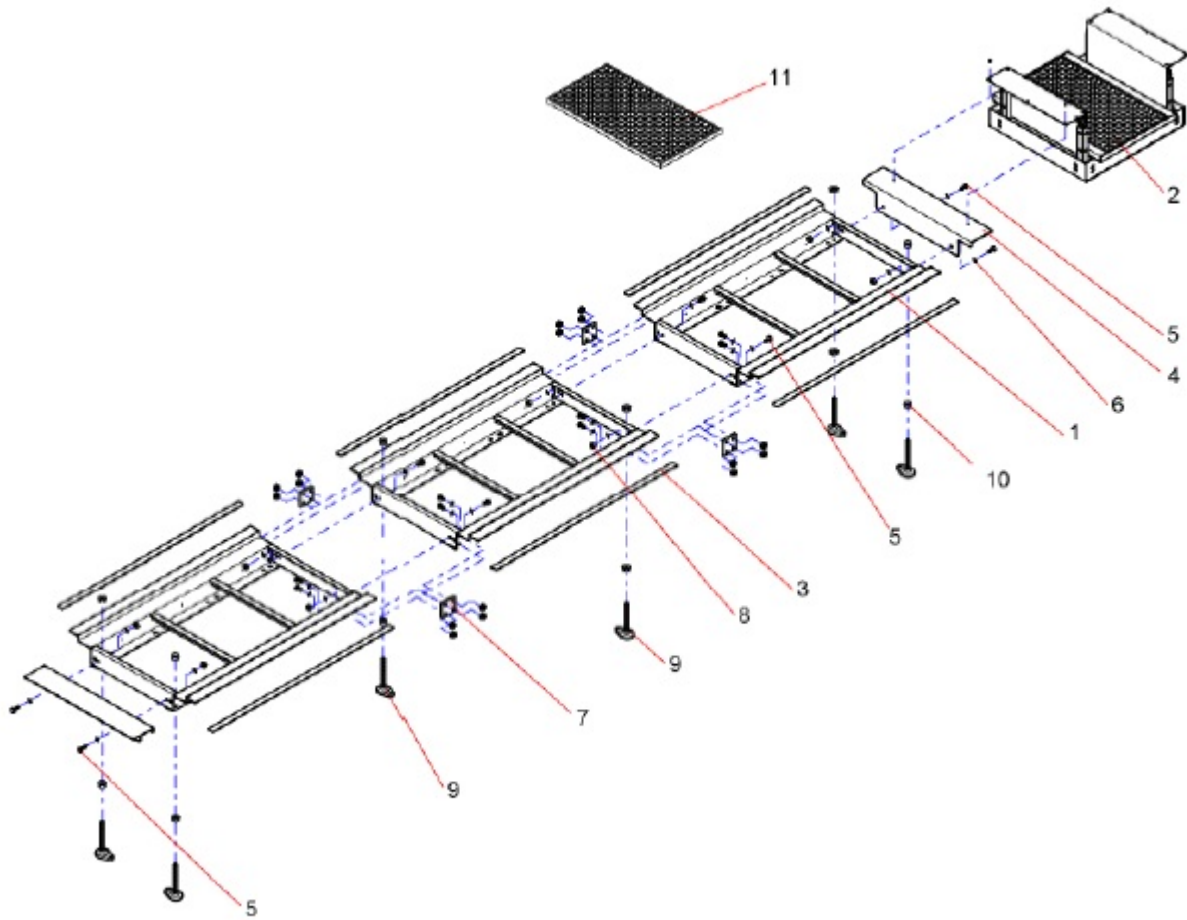
Item No.	Spare Part	Description	Article Number
1	Base Frame	1977mm	03 08 84100
2	Connection Angle		05 08 84110
3	Hex Head Screw	M12x25	22 0933 12025 1
4	Washer	A13	22 0125 12 1
5	Hex Nut	M12	22 0934 12 1
6	Connecting Plate		05 08 84120
7	Adjusting Foot		23 1429
8	Support Rubber		02 08 84035
9	Grating	without Frame	14 6075 1
10	Floor Cover	for Axle Jack	05 08 84450
11	Hex Nut	M16	22 0934 16 1

5.9 Grating with Floor Cover 4.0m / 950



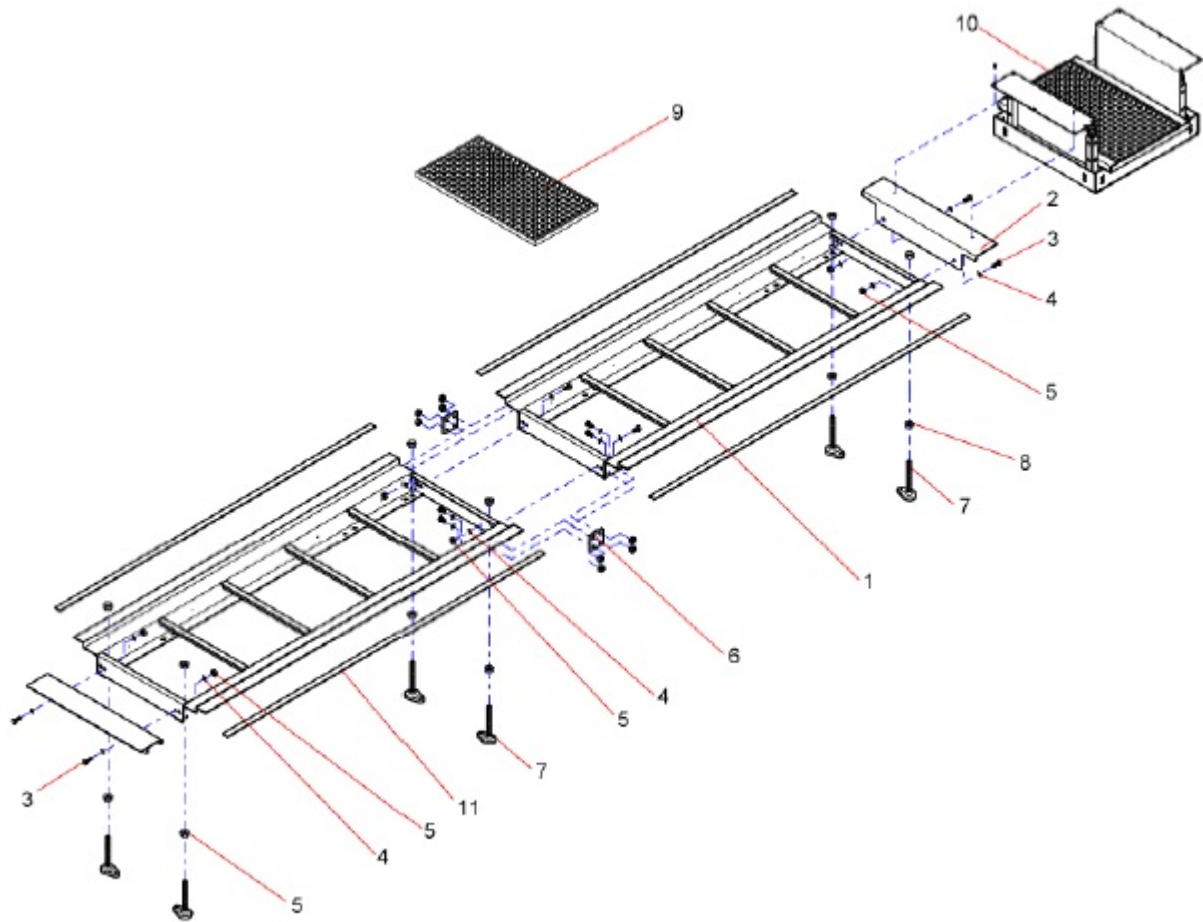
Item No.	Spare Part	Description	Article Number
1	Base Frame	1977mm/950	03 08 84120
2	Connection Angle		05 08 84115
3	Hex Head Screw	M12x25	22 0933 12025 1
4	Washer	A13	22 0125 12 1
5	Hex Nut	M12	22 0934 12 1
6	Connecting Plate		05 08 84120
7	Adjusting Foot		23 1429
8	Support Rubber	1184mm	02 08 84030
9	Grating	without Frame	14 6075 1
10	Floor Cover	950 for Axle Jack	05 08 84455
11	Support Rubber	1975mm	02 08 84035
12	Base Frame	1187mm/950	03 08 84130
13	Hex Nut	M16	22 0934 16 1

5.10 Grating with Floor Cover 4.4m / 950



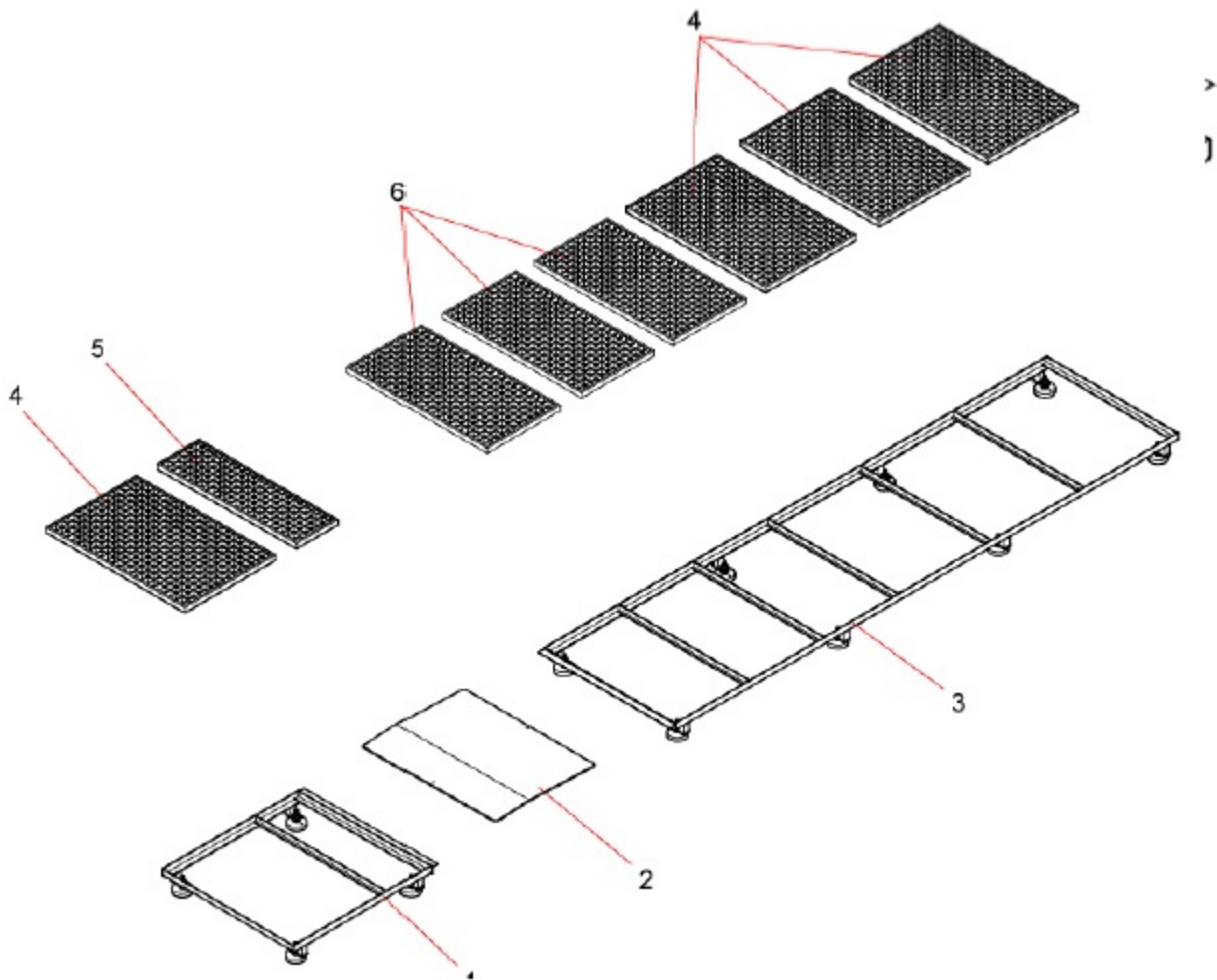
Item No.	Spare Part	Description	Article Number
1	Base Frame	1187mm/950	03 08 84130
2	Floor Cover	950 for Axle Jack	05 08 84455
3	Support Rubber		02 08 84030
4	Connection Angle		05 08 84115
5	Hex Head Screw	M12x25	22 0933 12025 1
6	Washer	A13	22 0125 12 1
7	Connecting Plate		05 08 84120
8	Hex Nut	M12	22 0934 12 1
9	Adjusting Foot		23 1429
10	Hex Nut	M16	22 0934 16 1
11	Grating	without Frame	14 6075 1

5.11 Grating with Floor Cover 4.8m / 950



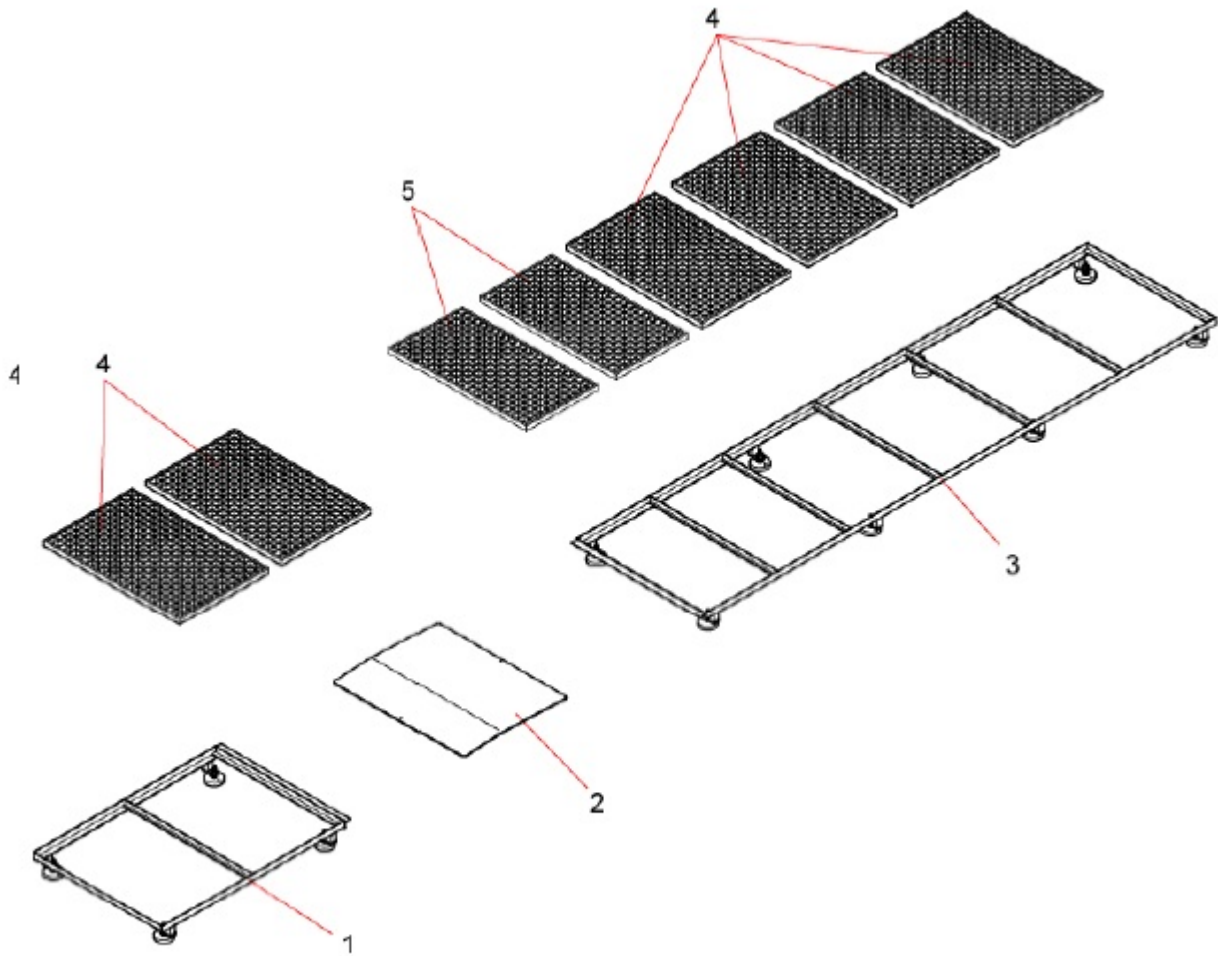
Item No.	Spare Part	Description	Article Number
1	Base Frame	1977mm/950	03 08 84120
2	Connection Angle		05 08 84115
3	Hex Head Screw	M12x25	22 0933 12025 1
4	Washer	A13	22 0125 12 1
5	Hex Nut	M12	22 0934 12 1
6	Connecting Plate		05 08 84120
7	Adjusting Foot		23 1429
8	Hex Nut	M16	22 0934 16 1
9	Grating	without Frame	14 6075 1
10	Floor Cover	950 for Axle Jack	05 08 84455
11	Support Rubber		02 08 84055

5.12 Grating 4.0m without PMS



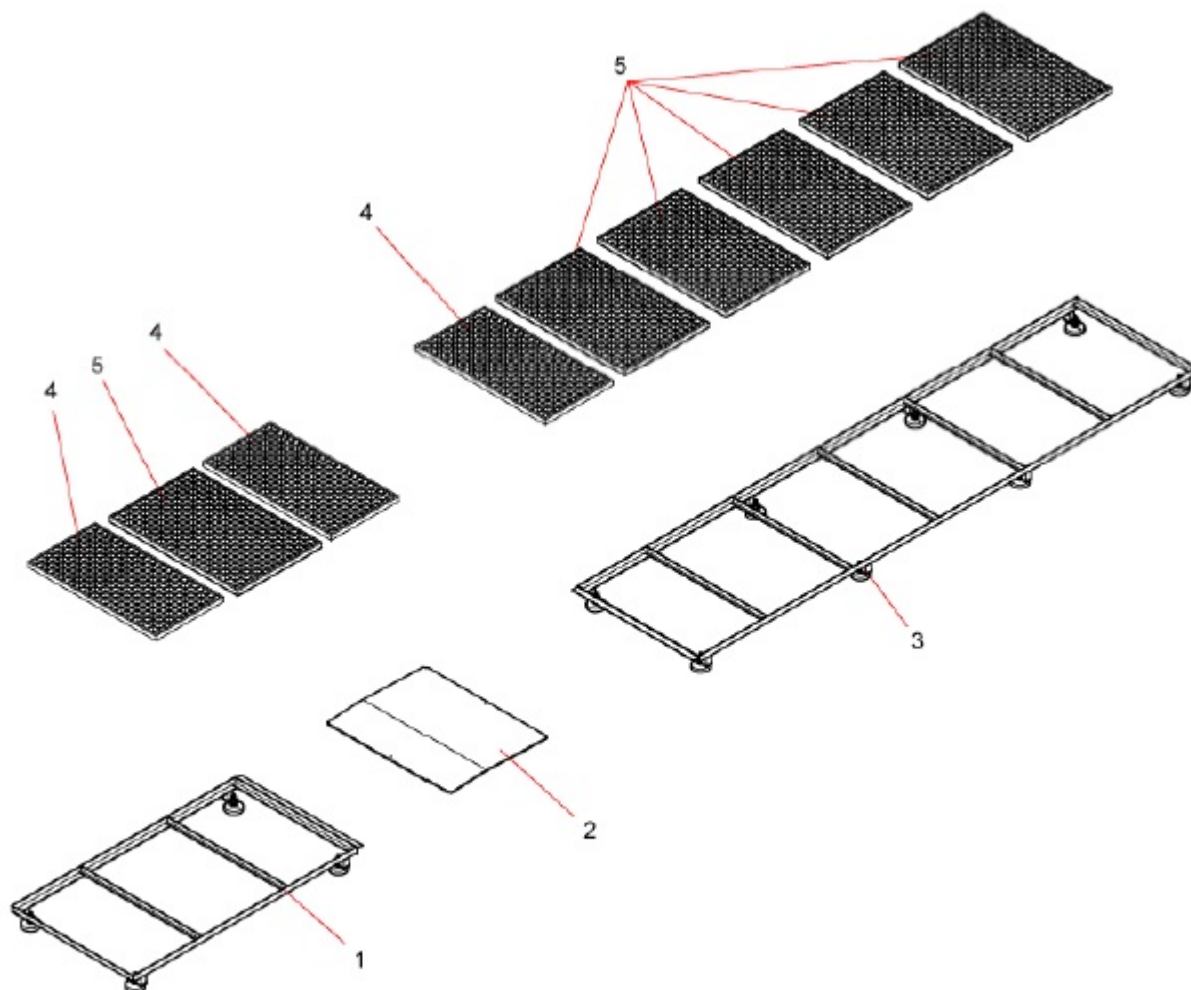
Item No.	Spare Part	Description	Article Number
1	Grating Frame	Short	03 08 84650
2	Cover		02 08 84640
3	Grating Frame	Long	03 08 84640
4	Grating	without Frame 495mm	14 6075 3
5	Grating	without Frame 225mm	14 6075 2
6	Grating	without Frame 395mm	14 6075 1

5.13 Grating 4.4m without PMS



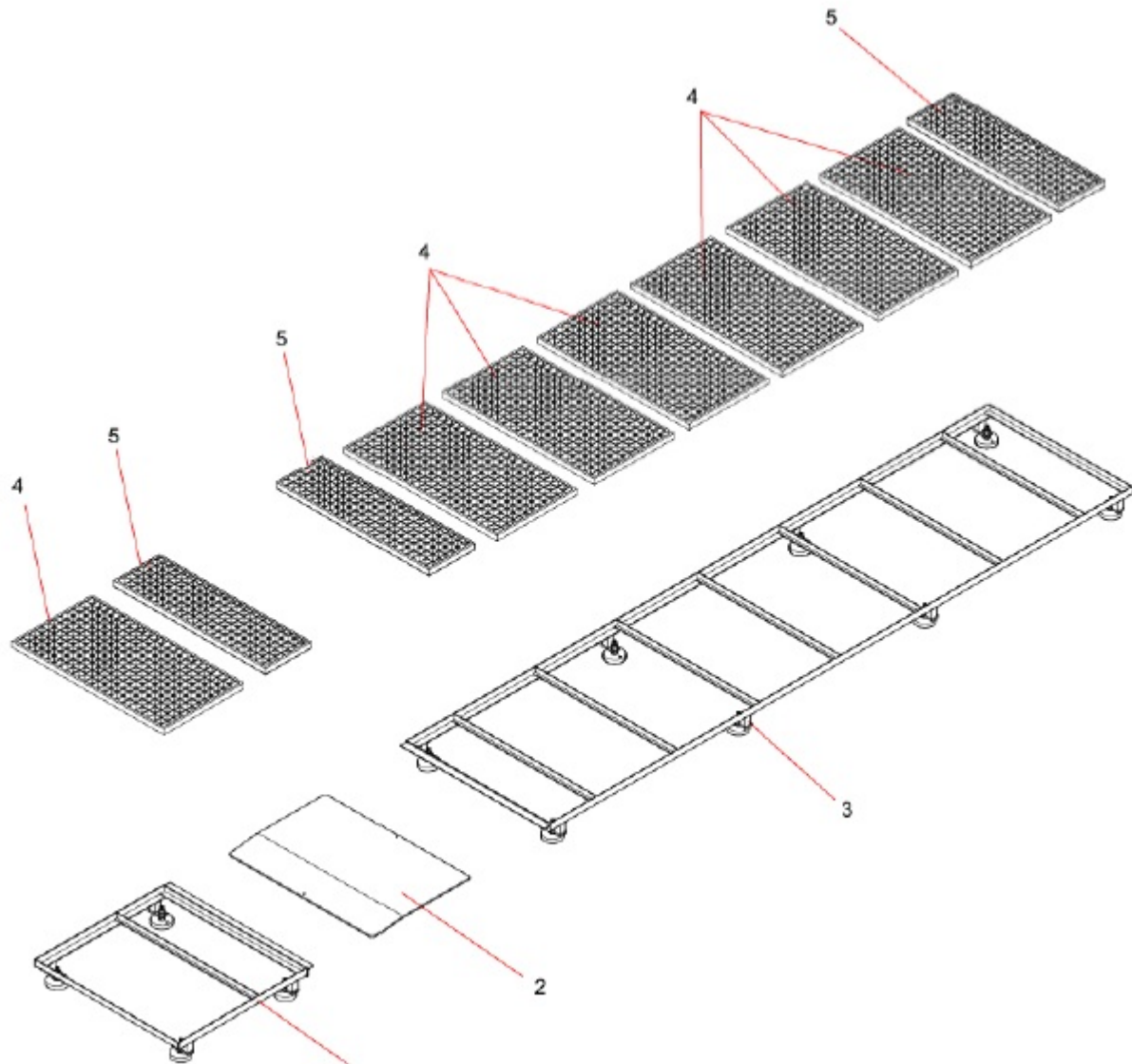
Item No.	Spare Part	Description	Article Number
1	Grating Frame	Short	03 08 84660
2	Cover		02 08 84720
3	Grating Frame	Long	03 08 84670
4	Grating	without Frame 495mm	14 6075 3
5	Grating	without Frame 395mm	14 6075 1

5.14 Grating 4.8m without PMS



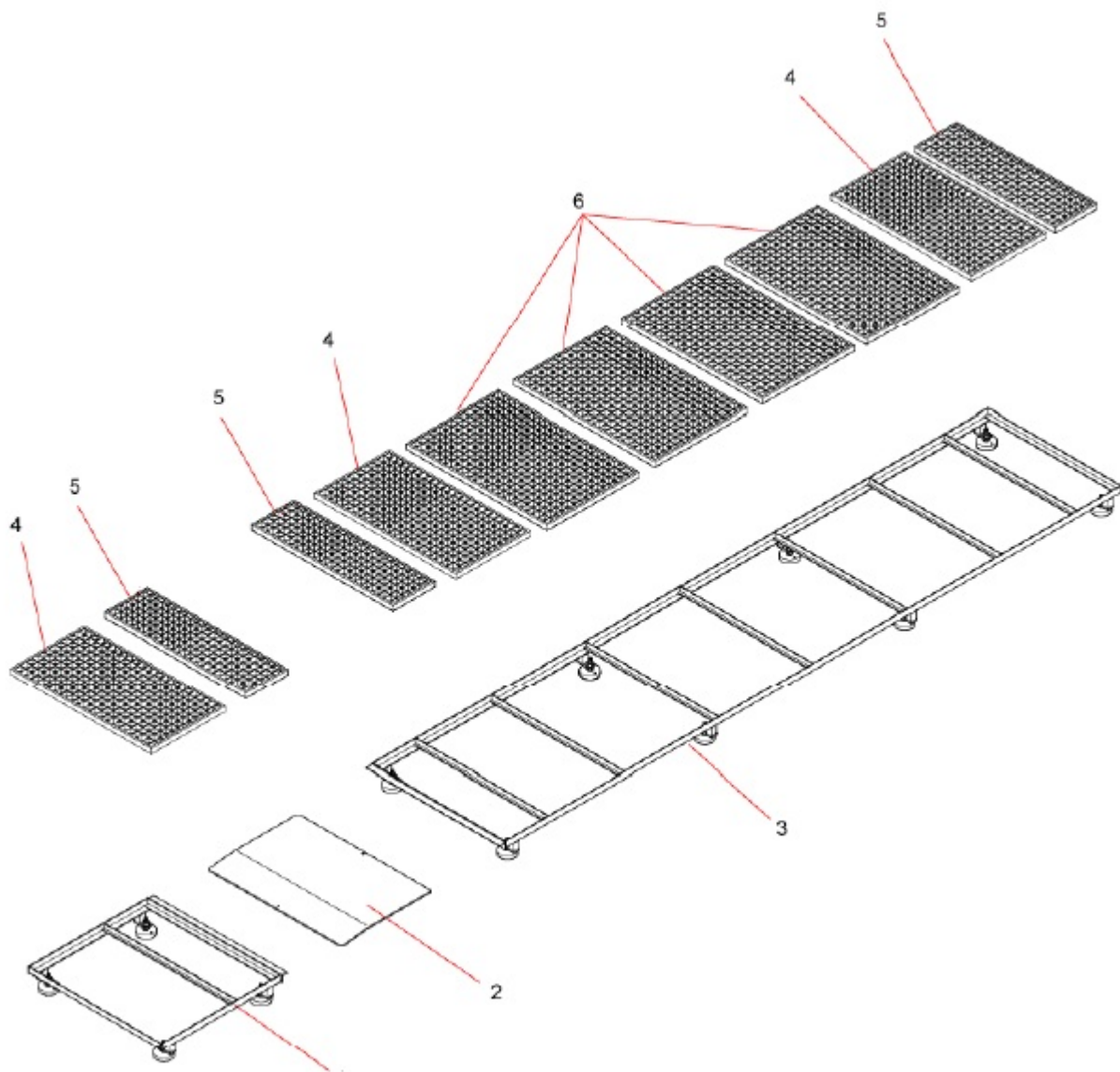
Item No.	Spare Part	Description	Article Number
1	Grating Frame	Short	03 08 84680
2	Cover		02 08 84720
3	Grating Frame	Long	03 08 84690
4	Grating	without Frame 395mm	14 6075 1
5	Grating	without Frame 495mm	14 6075 3

5.15 Grating 4.0m with PMS



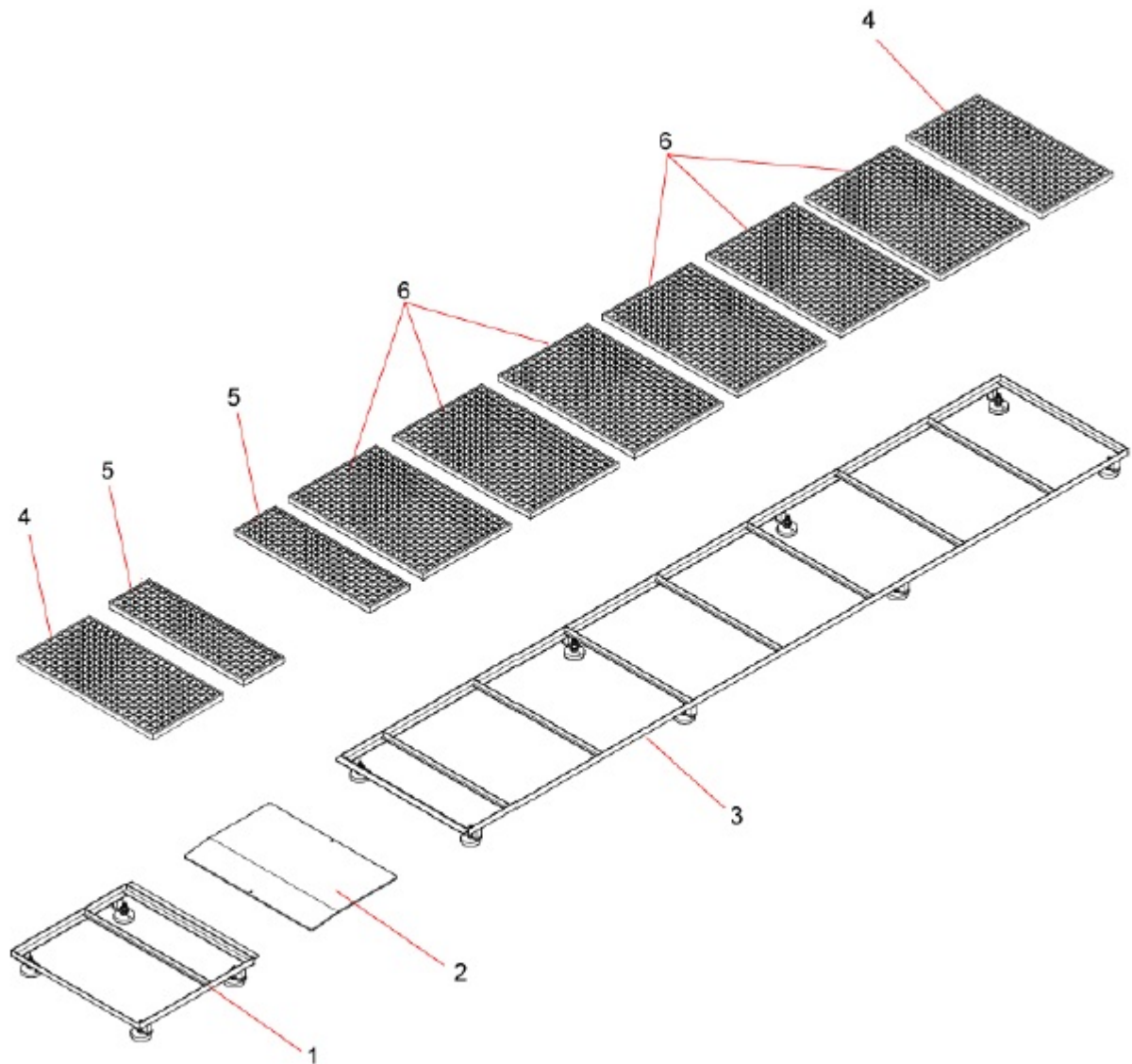
Item No.	Spare Part	Description	Article Number
1	Grating Frame	Short	03 08 84610
2	Cover		02 08 84650
3	Grating Frame	Long	03 08 84620
4	Grating	without Frame 395mm	14 6075 1
5	Grating	without Frame 225mm	14 6075 2

5.16 Grating 4.4m with PMS



Item No.	Spare Part	Description	Article Number
1	Grating Frame	Short	03 08 84610
2	Cover		02 08 84650
3	Grating Frame	Long	03 08 84770
4	Grating	without Frame 395mm	14 6075 1
5	Grating	without Frame 225mm	14 6075 2
6	Grating	without Frame 495mm	14 6075 3

5.17 Grating 4.8m with PMS



Item No.	Spare Part	Description	Article Number
1	Grating Frame	Short	03 08 84610
2	Cover		02 08 84780
3	Grating Frame	Long	03 08 84785
4	Grating	without Frame 395mm	14 6075 1
5	Grating	without Frame 225mm	14 6075 2
6	Grating	without Frame 495mm	14 6075 3